

# ALKOVA

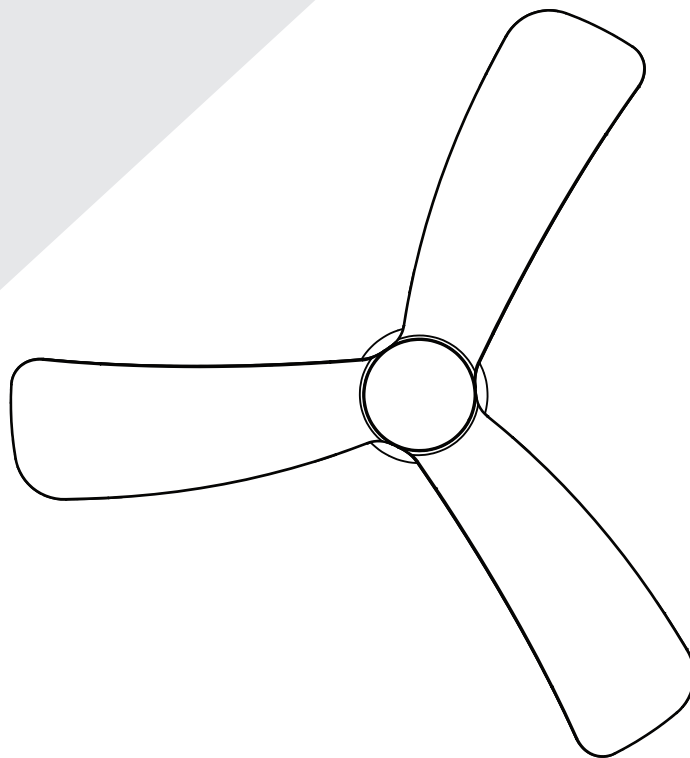
# MILI HG

## 3B/52

## 3B/42

## 3B/33

## Instruction **Manual**



**Model:**  
FC-AF06/C  
FC-AF08/C  
FC-AF10/C

# Content

## Item

## Page No.

1. Safety Precaution	1
2. Parts & Accessories	5
3. Installation Instruction	7
4. Transmitter Function & Assembly	14
5. Power Supply Connection & Circuit Diagram	18
6. Maintenance	20
7. Technical Specifications	21
8. Customer Service	23

# Safety Precaution

## WARNING

Installation and maintenance work shall only be performed by qualified persons, familiar with local code and regulation, and experienced with this type of appliance.

Primary suspension system length more than 300 mm of modified (non-standard length rod) shall be supplied by the same manufacturer, with similar material, complete with safety wire rope, marking and installation instruction.

All field wiring must be installed in accordance with the national wiring regulation.

Means for disconnection from the supply mains having a contact separation in all poles must be incorporated in the fixed wiring in accordance with the wiring rules.

Before commencing wiring work, verify that the unit's rated voltage matches the nameplate specifications, and follow the wiring diagram.

**The unit must be grounded to prevent hazards in the event of insulation failure.** The earth wire is approximately 60 mm longer than the safety wire to ensure that, if the suspension system fails, the live (L) and neutral (N) wires will disconnect first, leaving the fan earthed to prevent electrocution.

# Safety Precaution

## WARNING

**Tighten the blade firmly using a screwdriver.**

This appliance is not intended for use by persons (including children) with reduced physical, sensory or mental capabilities, or lack of experience and knowledge, unless they have been given supervision or instruction concerning use of the appliance by a person responsible for their safety. Children should be supervised to ensure that they do not play with the appliances.

Confirm that the power supply has been switched **OFF** before installing or servicing the unit.

Ensure that the blade is fully static before doing any maintenance work.  
Disconnect from the main power supply before servicing the unit.

**STOP using the ceiling fan when any abnormality or failure occurs.**

If unusual oscillating movement is observed, immediately stop using the ceiling fan and contact the manufacturer, its service agent or suitably qualified persons.

## CAUTION

**Please take note of the following important points when installing:**

- The fixing means for attachment to the ceiling, such as hooks or other devices, shall be fixed with a sufficient strength to withstand **10 times** the weight of the ceiling fan.

# Safety Precaution

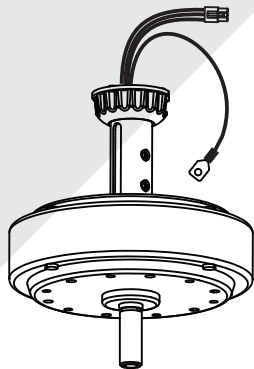
## CAUTION

- The mounting of the suspension system shall be performed by the manufacturer, its service agent or suitably qualified persons.
- The fan is to be installed so that the blades are more than **2.5m** above the floor.
- **The safety cord should not be longer than the earthing conductor.**
- If the suspension system fails, the fan's support must not depend on the earthing conductor. The earthing terminal within the fan assembly must be designed so that, even if any part of the suspension system detaches, the fan body remains effectively earthed.
- **Ensure that the unit's panel is closed after service or installation.**  
Unsecured panels will cause the unit to operate noisily.
- **Sharp edges and coil surfaces are potential locations that may cause injury hazards.**  
Avoid being in contact with these places.
- **Before turning off the power supply, set the remote controller's ON/OFF switch to the "OFF" position.**  
Failure to do so may cause the fan to start automatically when power is restored, creating a safety hazard for service personnel and users.

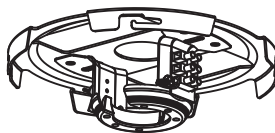
# Safety Precaution

- Do not operate any heating device near the ceiling fan unit, or use the fan in rooms containing mineral oil, oil vapour, or oil mist. Excessive heat or chemical reactions may cause plastic components to melt or deform.
- Keep the ceiling fan unit out of direct sunlight to prevent plastic components from degrading due to excessive heat and UV radiation.
- Ensure that the wire colours and terminal markings of the outdoor unit match those of the indoor unit.
- Do not use joined and twisted wires for the incoming power supply.
- Do not place any object in the path of the blades. Avoid raising objects or your arms near the ceiling fan.
- The fan suspension system and blade screw tightening shall be examined yearly.
- Replacement of parts of the safety suspension system device shall be performed by the manufacturer, its service agent or suitably qualified persons.
- The torque value for the screw/bolts for securing the primary suspension system for fan motor is **2 Nm**.

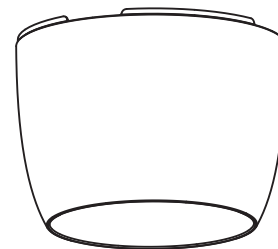
# Parts & Accessories



Motor Assembly  
with Downrod



Mounting Bracket



Canopy



Switch Housing

# Parts & Accessories



Fan Blade x 3



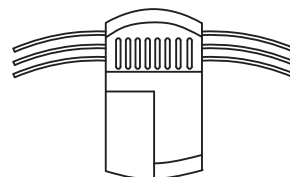
Blade  
Screw x 7



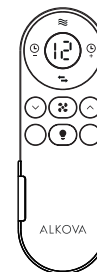
Expansion  
Screw x 4



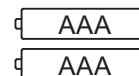
Expansion  
Hook x 1



Receiver x 1



Transmitter  
& Holder x 1



Battery x 2

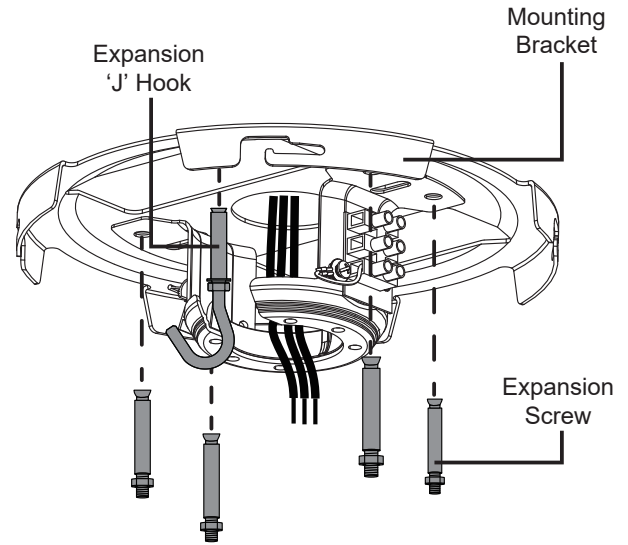


Wall Screw x 2

# Installation Instruction

# 1

- a. Drill the 4 Expansion Screws and 1 Expansion 'J' Hook provided to the concrete ceiling.
  - b. Align the slotted holes in the Mounting Bracket with the Expansion Screws and secure with the Washer and Nuts.
- 

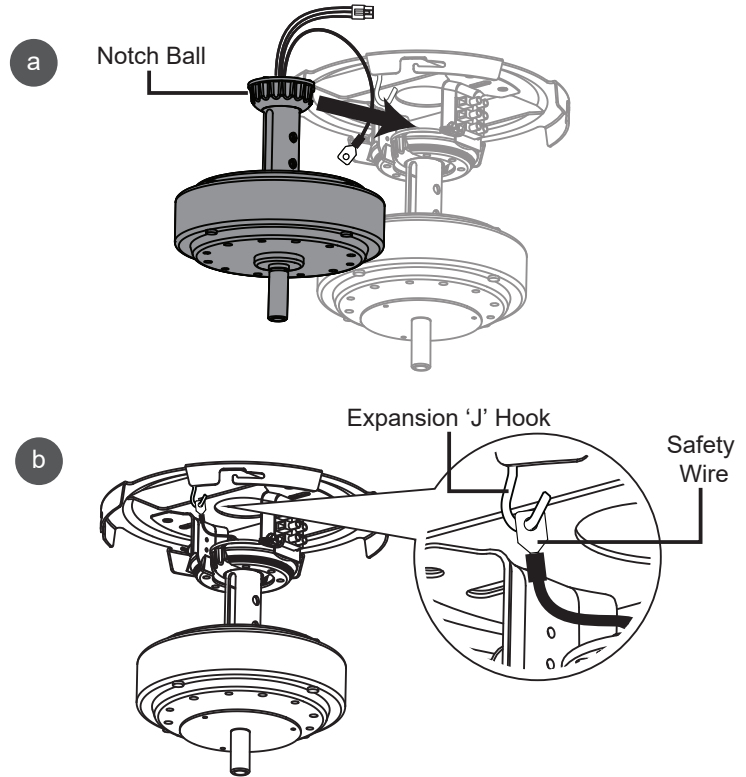


**IMPORTANT: THE EXPANSION SCREWS, EXPANSION 'J' HOOK AND NUT MUST BE TIGHTENED UNTIL SNUG.**

# Installation Instruction

# 2

- a. Raise the Fan and place the Notch Ball into the Mounting Bracket. Align the Notch Ball with the indent in the Mounting Bracket until you hear the Notch “**pop**” into place.
  - b. Hook the Safety Wire onto the Expansion ‘J’ Hook.
- 



# Installation Instruction

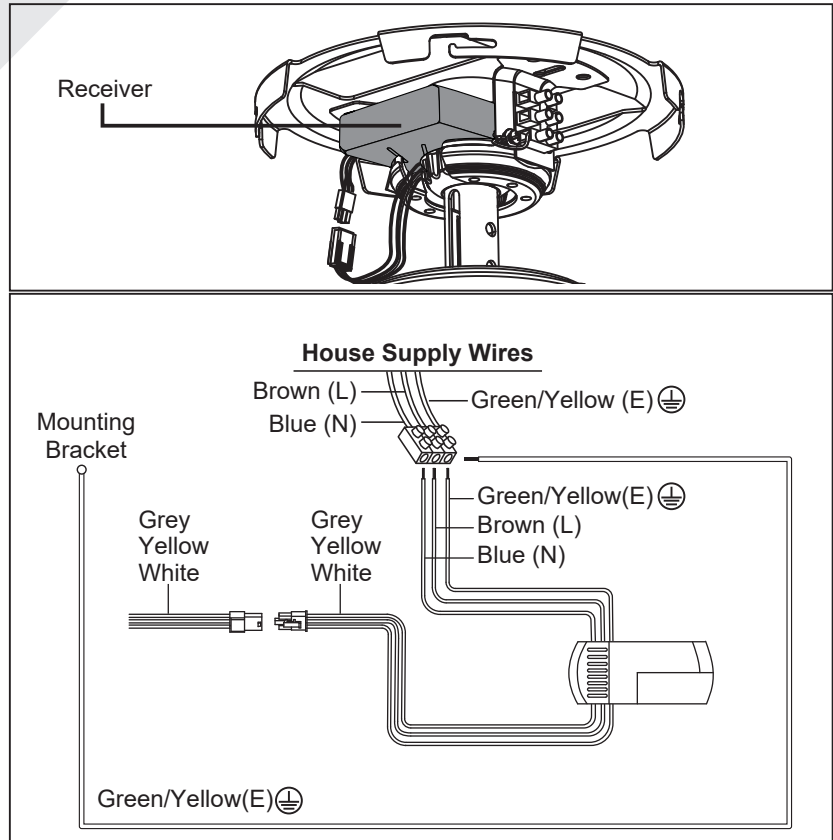
# 3

Place the Receiver on the Notch Ball.

Connect the Connectors from the Fan and Receiver.

Connect the Wires from the Receiver to the House Supply Wire.

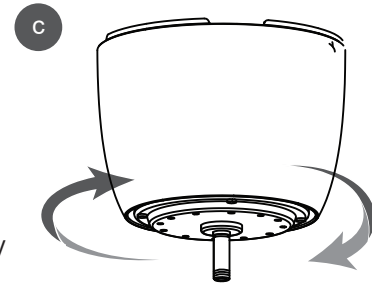
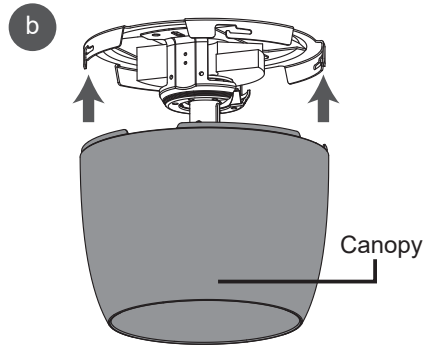
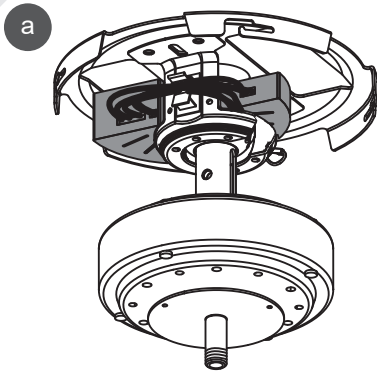
Connect Earth Wire to House's Supply Earth Terminal.



# Installation Instruction

# 4

- a. Place the Wire on the Wire Holder provided to prevent it from dropping to the Motor.
  - b. Lift up the Canopy to the Mounting Bracket.
  - c. Install the Canopy to the Mounting Bracket by twisting in.
- 

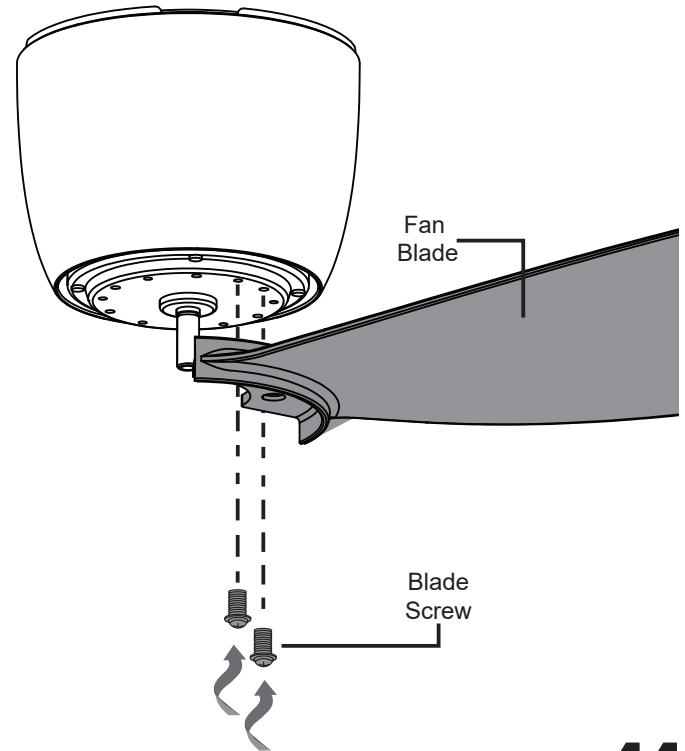


# Installation Instruction

# 5

**IMPORTANT: ASSEMBLE THE  
BLADES ONLY AFTER THE  
CEILING FAN IS MOUNTED ON  
THE HOOK.**

Install the Fan Blades on Motor  
with Blade Screw provided.

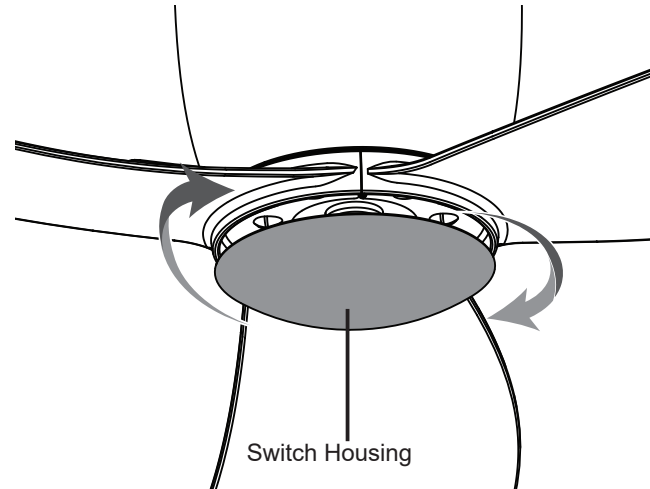


# Installation Instruction

# 6

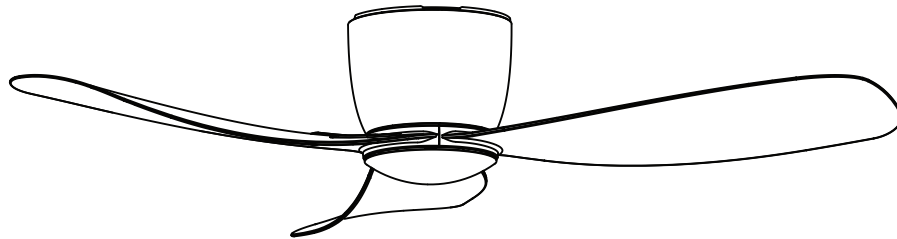
## Assemble the Switch Housing

- Lift up the Switch Housing and install by twisting in.



# Installation **Instruction**

**7** Below shows a complete installation diagram.



# Transmitter Learning Process

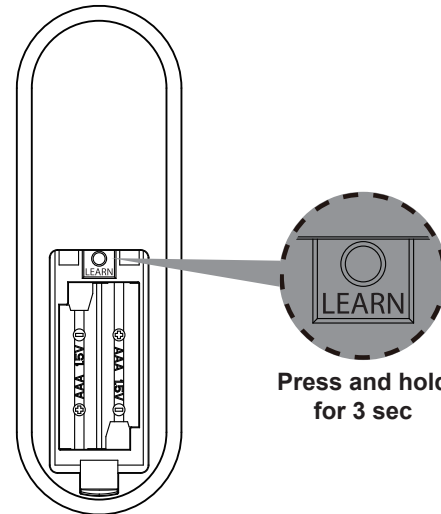
The receiver & transmitter are pre-programmed from the factory. If you wish to control 2 or more fans using 1 transmitter, the below steps are required:

**DO NOT PRESS ANY OTHER BUTTON DURING THIS PROCESS.**

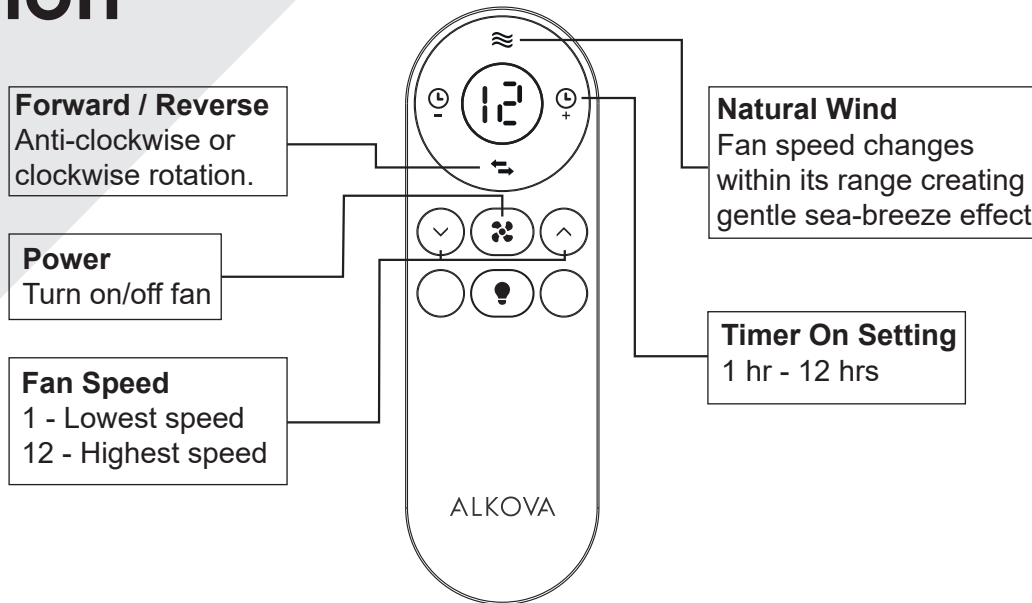
## Step

- a. Turn on the main power (wall switch) to the fan.
- b. Within **30 sec.**,
  1. Short press “**LEARN**” button, receiver will “**Beep**” twice.
  2. Within 3 sec., Long Press “**LEARN**” button again, receiver will Long “**Beep**”.
- c. The programming process is completed and the fan is ready to use.

*If the fan is not responding to the transmitter, repeat Step b.*



# Transmitter Function

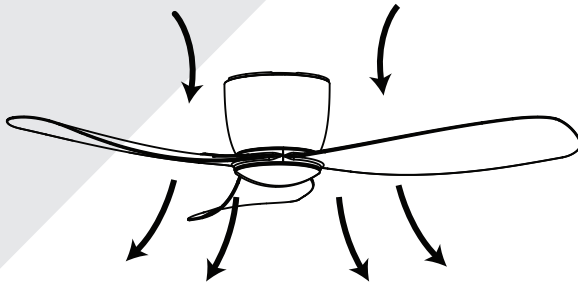


The transmitter & receiver feature a “**Last Memory**” function, which stores your previous fan settings. When the fan is turned on again, it will automatically resume operation at the last recorded fan settings.

# Transmitter Function

Fan must be turned on and rotating.

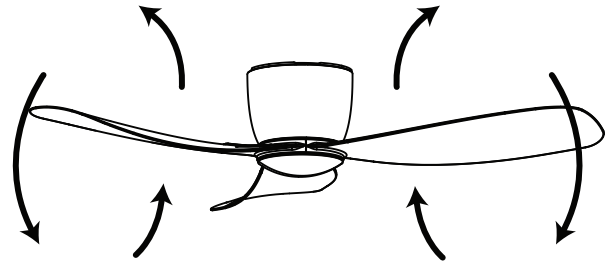
Fan will slow down and then change direction (approx. 15 sec). When the fan is slowing down to change direction, the Fan Speed function is disabled until direction has been changed.



## Forward

The fan rotates anti-clockwise, blowing the air downwards, creating the wind chill effect.

**Suitable for hot weather conditions.**



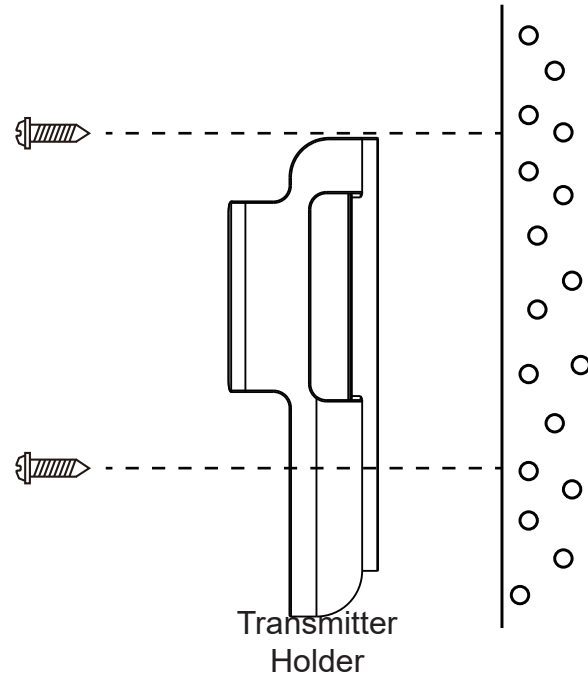
## Reverse

The fan rotates clockwise, drawing the air towards the ceiling and circulating the warm air downwards. This function works best at low speeds.

**Suitable for air-conditioned conditions.**

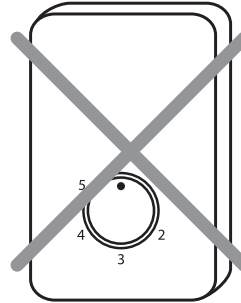
# Transmitter Assembly

Install the Transmitter Holder to the wall with the 2 Screws provided.

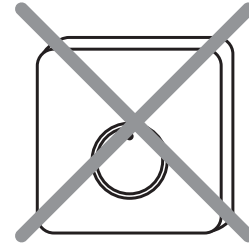


# Power Supply Connection

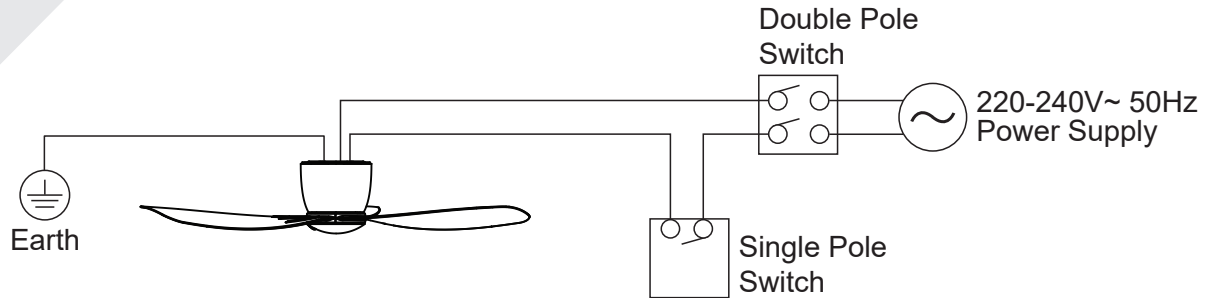
**IMPORTANT: DO NOT CONNECT THIS REMOTE CONTROL CEILING FAN TO REGULATOR OR DIMMER SWITCH.**



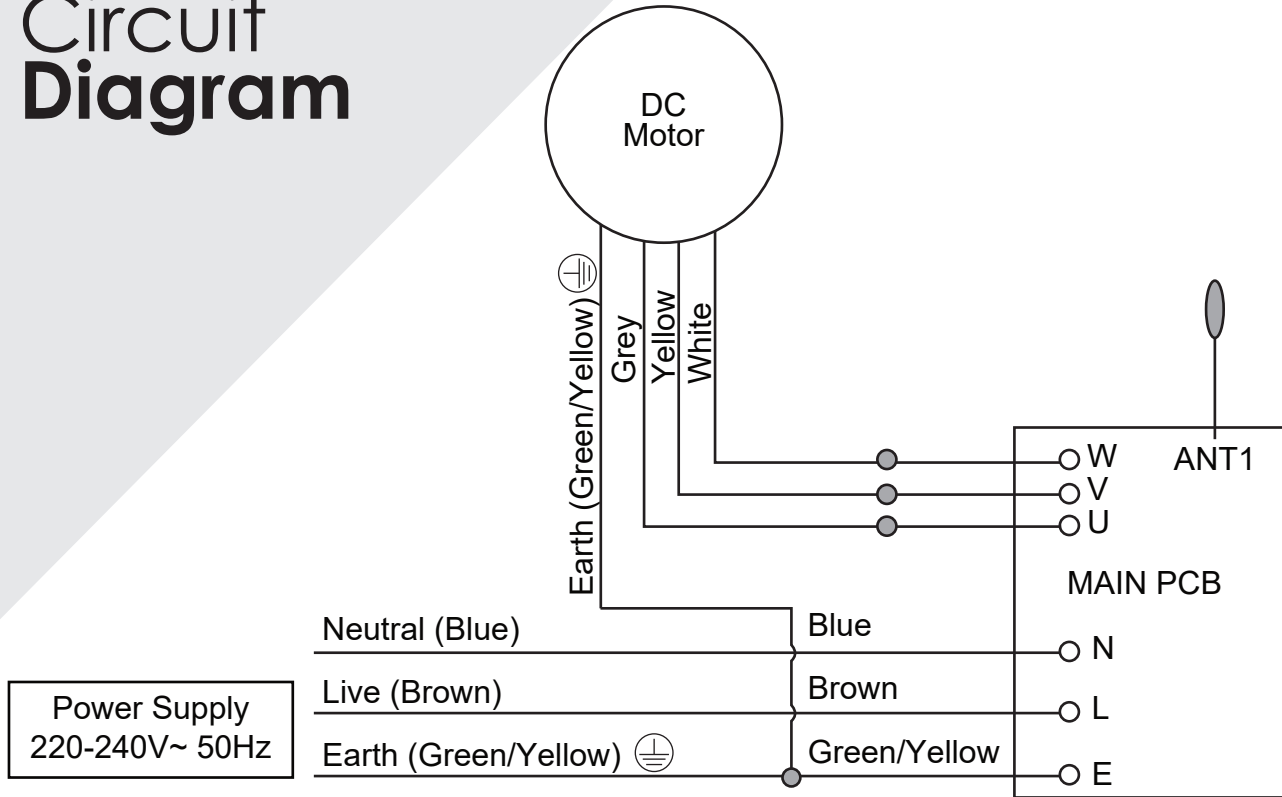
Regulator



Dimmer Switch



# Circuit Diagram



# Maintenance

Due to the fan's natural movement, connections may get loose after a period of usage. To ensure a proper and safe usage, it is highly recommended to inspect and tighten all connections every **6 months**.

## Cleaning

Cleaning your fan periodically will prolong its appearance. Basic cleaning procedures for the fan are as follows:

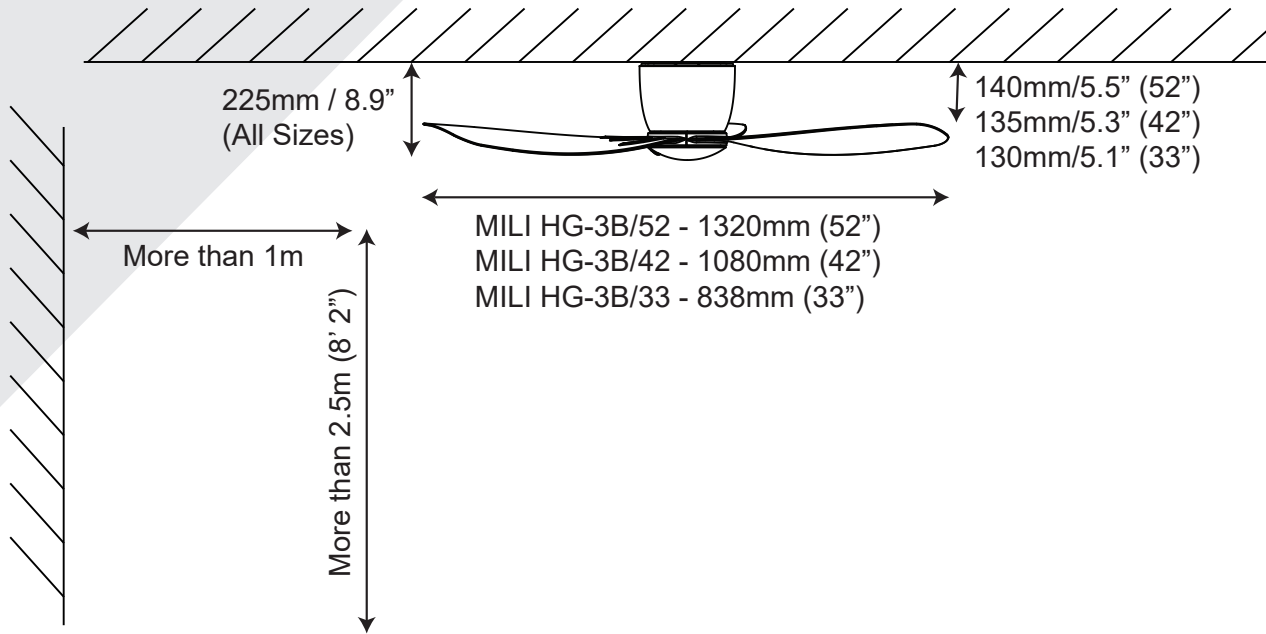
1. Use only lukewarm water. Do not use detergent, corrosive or acidic solutions.
2. Lightly dampen a soft, lint-free cloth before cleaning the fan. Avoid rough fabrics, as they may scratch the surface.
3. Do not bend the blades while cleaning. In the event where the blades are bent or damaged, order a new set of blades from authorised service centres/dealer shops.
4. There is no need to oil the fan.

# Technical Specifications

<b>MODEL</b>	<b>FC-AF06/C</b>	<b>FC-AF08/C</b>	<b>FC-AF10/C</b>
<b>Alt. Model Name</b>	MILI HG-3B/52	MILI HG-3B/42	MILI HG-3B/33
<b>No. Of Blades</b>	3		
<b>Fan Width</b>	1320mm (52")	1080mm (42")	838mm (33")
<b>Motor RPM</b>	51 - 202	51 - 202	90 - 236
<b>Voltage</b>	220 - 240V ~ 50Hz		
<b>Motor Wattage</b>	2W - 50W	2W - 40W	4W - 30W
<b>Nett Weight</b>	5.36kg	4.70kg	4.36kg

*Information may subject to 5% variation.*

# Technical Specifications



# Customer Service

If you need any technical assistance or faulty report, please contact our customer service centre at:

## **ALPHA HOME APPLIANCES SDN. BHD.**

(390258-H)

### **Head Office**

6, Jalan Sungai Kayu Ara 32/37, Berjaya Park,  
Section 32, 40460 Shah Alam, Selangor.

Tel : 03-5740 6666

Fax : 03-5740 8220

Website : [www.alphamalaysia.com](http://www.alphamalaysia.com)

Email : [info@alphamalaysia.com](mailto:info@alphamalaysia.com)

## **ALPHA SALES & SERVICES PTE. LTD.**

(200709461 R)

### **Singapore**

50, Ubi Avenue 3, #02-16/17, Frontier,  
Singapore 408866.

Tel : +65 6841 0111

Fax : +65 6747 0030

Website : [www.alphasingapore.com](http://www.alphasingapore.com)

Email : [customercare@alphasingapore.com](mailto:customercare@alphasingapore.com)

### **Penang**

28, Jalan Icon City, Icon City,  
14000 Bukit Mertajam,  
Penang.

Tel : 04-506 2366 / 2066 / 2566

Fax : 04-506 2966

### **Melaka**

19, 19-1 & 19-2,  
Jalan KSB 11,  
Taman Kota Syahbandar,  
75200 Melaka.

Tel : 06-292 6292 / 6293

Fax : 06-292 6296

### **Johor**

71, Jalan Molek 3/10,  
Taman Molek,  
81100 Johor Bahru.

Tel : 07-353 4833 / 4933

Fax : 07-355 4233

### **Perak**

11, Laluan Tasek Timur 5,  
Taman Tasek Indra,  
31400 Ipoh, Perak.

Tel : 05-545 2282 / 547 2282

Fax : 05-547 6282

### **Pahang**

A 131, Jalan Dato' Wong  
Ah Jang, Taman Seng Heng,  
25100 Kuantan, Pahang.

Tel : 09-516 5226

Fax : 09-513 9226

### **Sabah**

D-31-0, Austin Business Park,  
Lorong Austin Business Park 4,  
Penampang, 88300  
Kota Kinabalu, Sabah.

Tel : 088-889146

