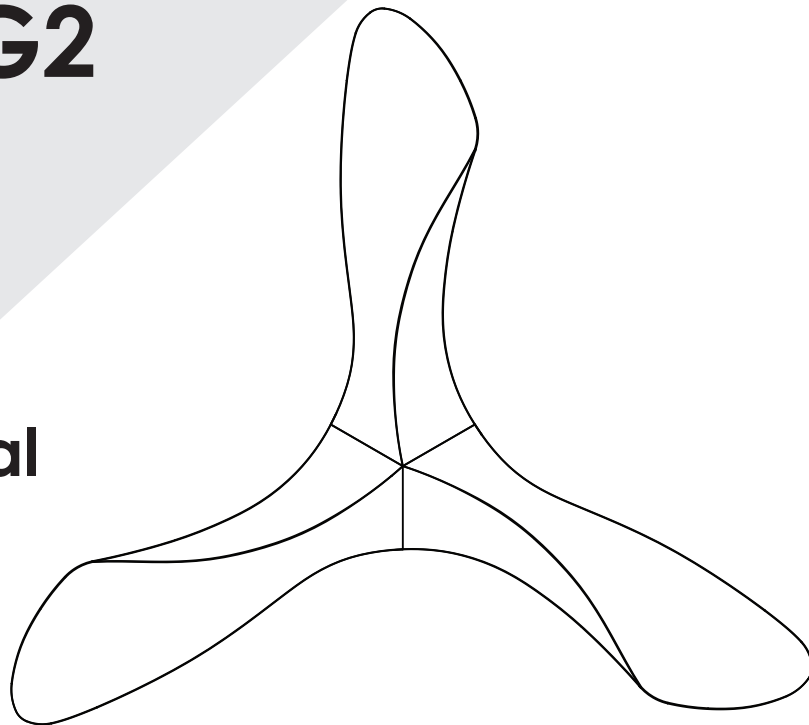


ALKOVA **Koko**^{G2}

3B/56

3B/40

Instruction **Manual**



Content

Item

Page No.

1. Safety Precaution	1
2. Parts & Accessories	5
3. Installation Instruction	7
4. Transmitter Function & Assembly	13
5. Power Supply Connection & Circuit Diagram	17
6. Maintenance	19
7. Technical Specifications	20
8. Customer Service Centre	22

Safety Precaution

WARNING

Installation and maintenance work shall only be performed by qualified persons, familiar with local code and regulation, and experienced with this type of appliance.

Primary suspension system length more than **300mm** of modified (non-standard length rod) shall be supplied by the same manufacturer, with similar material, complete with safety wire rope, marking and installation instruction.

All field wiring must be installed in accordance with the national wiring regulation.

Means for disconnection from the supply mains having a contact separation in all poles must be incorporated in the fixed wiring in accordance with the wiring rules.

Ensure that the rated voltage of the unit corresponds to that of the name plate before commencing wiring work according to the wiring diagram.

The unit must be GROUNDED to prevent possible hazard due to insulation failure.

The earth wire is approximately 60mm longer than safety wire. This is to ensure at the event whereby the suspension system fails, the live (L) and neutral (N) wires will break leaving the fan remain earthed to prevent electrocution.

Safety Precaution

WARNING

Tighten the blade firmly using a screwdriver.

Blades that are detached from the unit during operation will cause serious injuries and property damages.

This appliance is not intended for use by persons (including children) with reduced physical, sensory or mental capabilities, or lack of experience and knowledge, unless they have been given supervision or instruction concerning use of the appliance by a person responsible for their safety.

Children should be supervised to ensure that they do not play with the appliances.

Confirm that the power supply has been switched **OFF** before installing or servicing the unit.

Ensure that the blade is fully static before doing any maintenance work.

Disconnect from the main power supply before servicing the unit.

STOP using the ceiling fan when any abnormality or failure occurs.

If unusual oscillating movement is observed, immediately stop using the ceiling fan and contact the manufacturer, its service agent or suitably qualified persons.

CAUTION

Please take note of the following important points when installing.

The fixing means for attachment to the ceiling, such as hooks or other devices, shall be fixed with a sufficient strength to withstand **10 times** the weight of the ceiling fan.

Safety Precaution

CAUTION

The mounting of the suspension system shall be performed by the manufacturer, its service agent, or suitably qualified persons.

The fan is to be installed so that the blades are more than **2.5m** above the floor.

The safety cord should not be longer than the earthing conductor.

Should failure of the suspension system occur, the support of the fan must not rely on the earthing conductor. The earthing terminal in the fan assembly should be such that, should any part of the suspension system fall off, the body of the fan assembly shall be effectively earthed.

Ensure that the unit's panel is closed after service or installation.

Unsecured panels will cause the unit to operate noisily.

Sharp edges and coil surfaces are potential locations that may cause injury hazards. Avoid being in contact with these places.

Before turning off the power supply, set the remote controller's ON/OFF switch to the "OFF" position.

If this is not done, the unit's fans will start turning automatically when power resumes, posing a safety hazard to service personnel or the user.

Safety Precaution

Do not operate any heating apparatus too close to the ceiling fan unit or use it in a room where mineral oil, oil vapour or oil steam exists, this may cause the plastic part to melt or deform as a result of excessive heat or chemical reaction.

Avoid the ceiling fan unit from being exposed to direct sunlight, as this may cause degradation of the plastic material as a result of excessive heat and UV radiation.

Ensure the colour of wires of the outdoor unit and the terminal markings are the same as the indoors respectively.

Do not use joined and twisted wires for the incoming power supply.

Do not place any object in the path of the blades. Avoid raising objects or your arms near the ceiling fan.

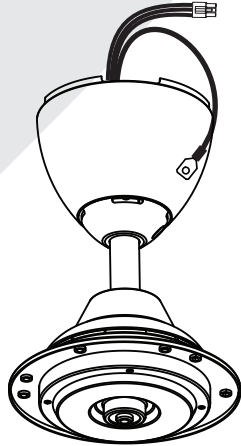
The fan suspension system and blade screw tightening shall be examined yearly.

Replacement of parts of the safety suspension system device shall be performed by the manufacturer, its service agent or suitably qualified persons.

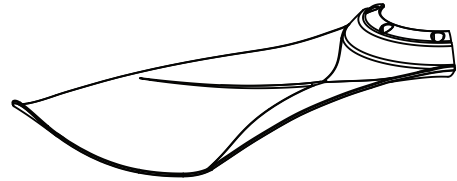
The torque value for the screw/bolts for securing the primary suspension system for the fan motor is

2 Nm.

Parts & Accessories

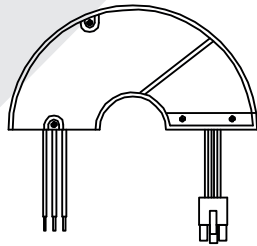


Motor Assembly
with Coupling Cover &
Canopy x 1



Fan Blade x 3

Parts & Accessories



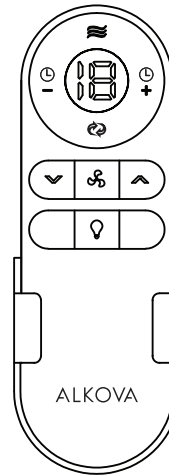
Receiver x 1



Rubber Pulley
Assembly x 1



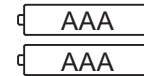
Blade Screw
and Washer x 10



Transmitter
& Holder x 1



Wall Screw x 2



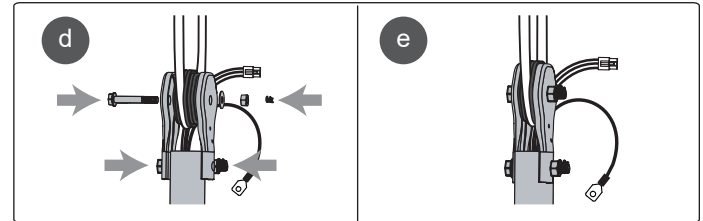
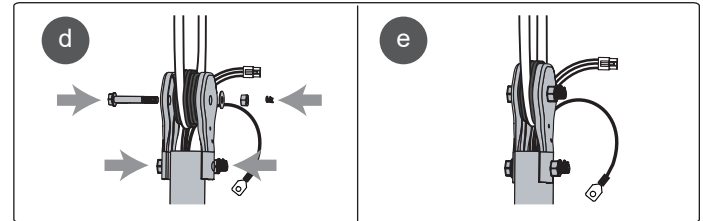
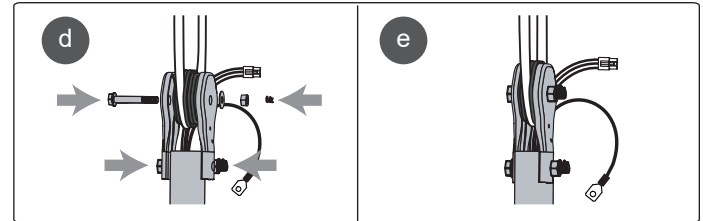
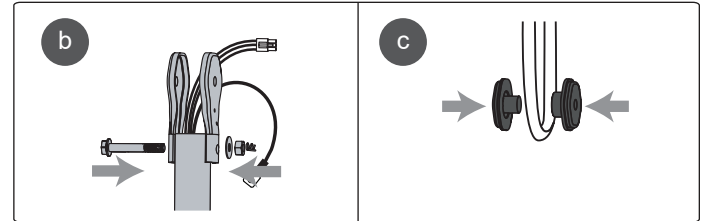
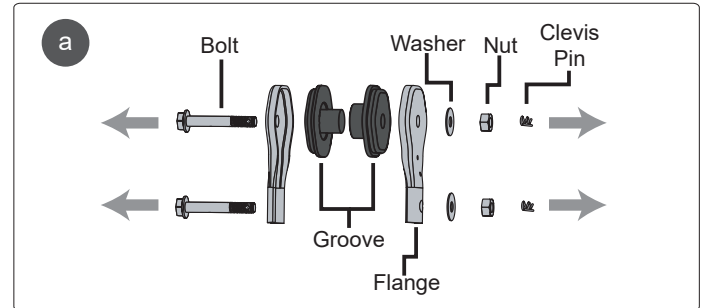
Battery x 2

Installation Instruction

1

- a. Remove the Groove, Flange, Bolt, Washer, Nut and Clevis Pin from the Rubber Pulley.
- b. Setting the Flange to the downrod without fully tightening.
- c. Position the Groove on the Ceiling Hook.
- d. Place the Flange and Downrod to the Groove and tighten with Bolt, Washer, Nut and Clevis.
- e. Make sure Rubber Pulley with Motor Assembly is firmly installed.

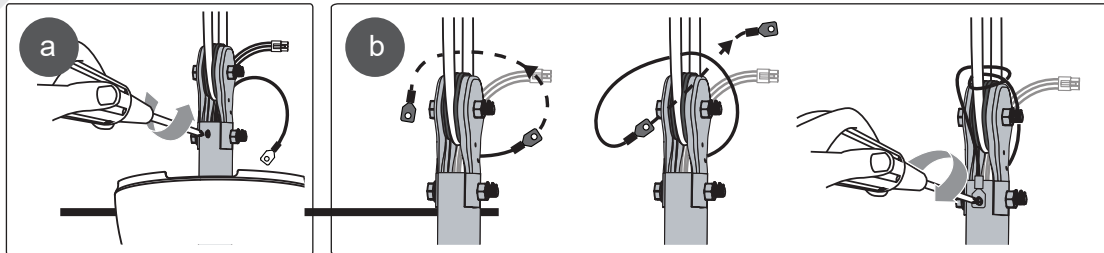
IMPORTANT :
CLEVIS PIN MUST BE INSERT
TO PREVENT NUT FROM
LOOSENING.



Installation Instruction

2

- a. Remove the Safety Wire screw and spring washer from the Downrod.
- b. Tie the Safety Wire across the hook as shown and firmly screw the Safety Wire onto the Downrod.



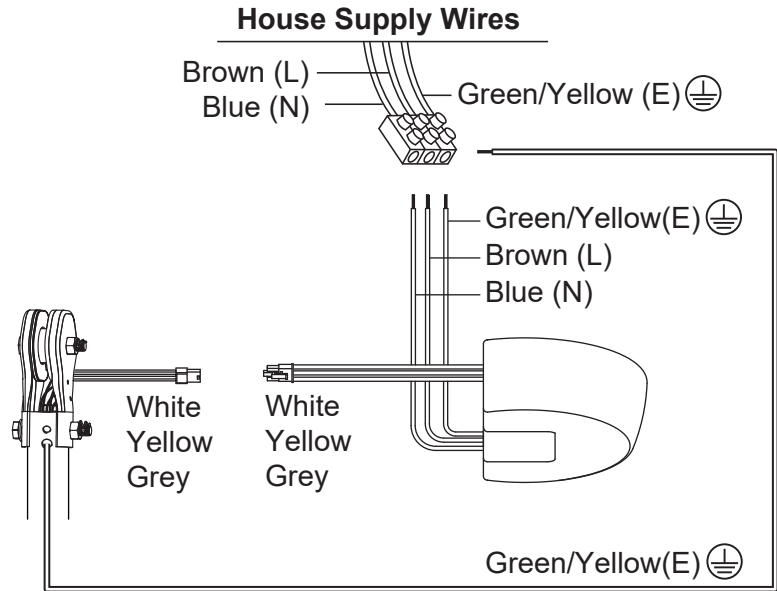
Installation Instruction

3

Connect the Connectors from Fan and Receiver.

Connect the Wires from the Receiver to House's Supply Wire.

Connect Earth Wire to House's Supply Earth Terminal.

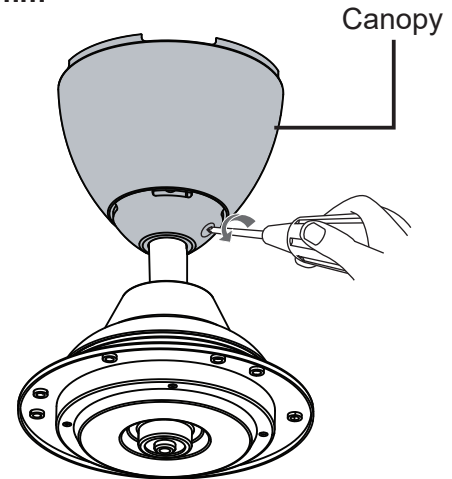


Installation Instruction

4

Lift up the Canopy, while leaving a minimum gap of **5mm** between the Ceiling and Canopy.

Tighten the Screw on Canopy.

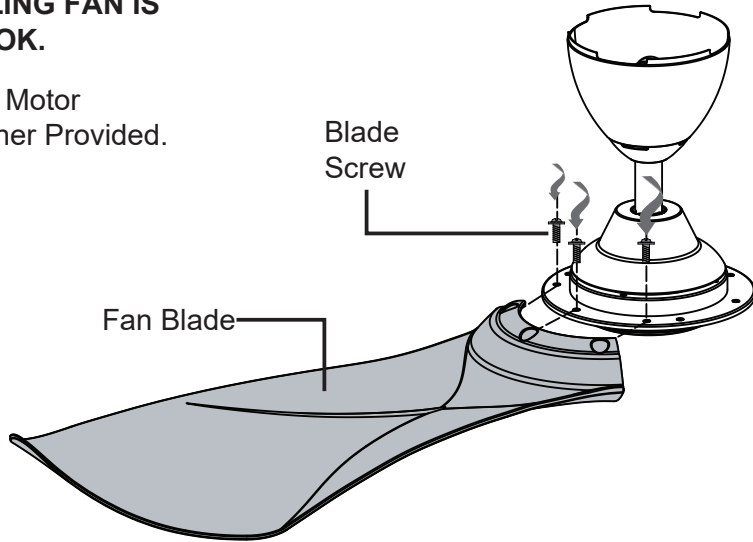


Installation Instruction

5

IMPORTANT : ASSEMBLE THE BLADES ONLY AFTER THE CEILING FAN IS MOUNTED ON THE HOOK.

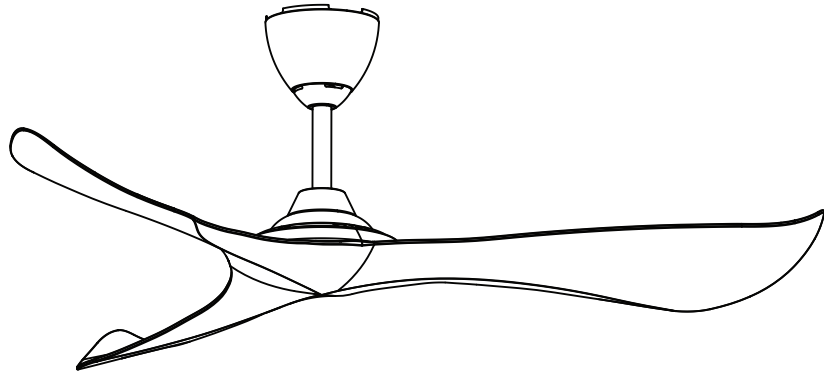
Install the Fan Blades on Motor with Blade Screw & Washer Provided.



Installation Instruction

6

Below shows a complete installation diagram.



Transmitter Learning Process

The receiver & transmitter are pre-programmed from factory. If you wish to control 2 or more fans using 1 transmitter, the below steps are required.

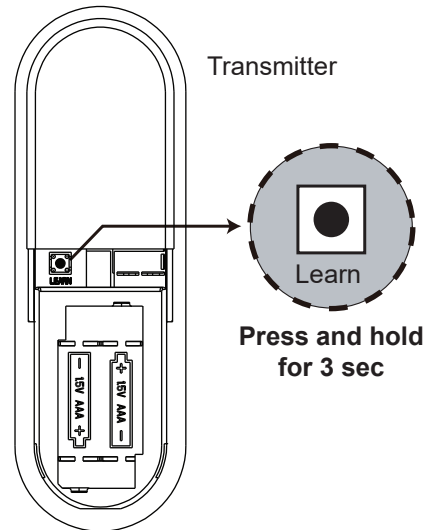
DO NOT PRESS ANY OTHER BUTTON DURING THIS PROCESS.

Turn on power to fan.

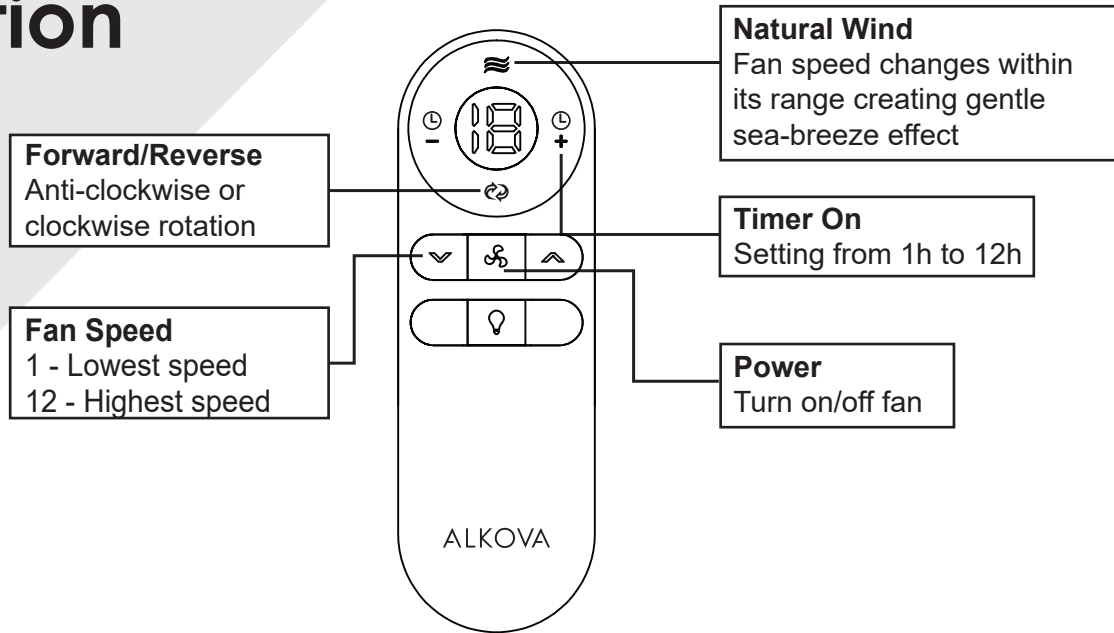
Within 30 sec, press and hold the **“LEARN”** button at the same time for 3 sec.

Once receiver has detected the frequency, the transmitter will **“Beep”** twice.

The programming process is completed and the fan is ready to use.



Transmitter Function

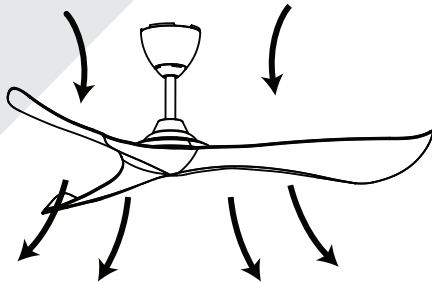


The transmitter & receiver is incorporated with “**Last Memory**” function. This function stores your last setting in memory and the next time you turn on the fan, it will operate at its last known setting.

Transmitter Function

Fan must be turned on and rotating.

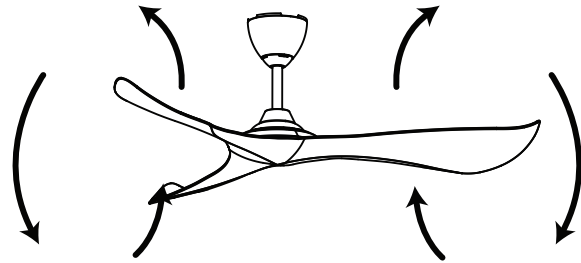
Fan will slow down and then change direction (**approx. 15 sec**). When the fan is slowing down to change direction, the Fan Speed function is disabled until direction has been changed.



Forward

Fan rotates anti-clockwise, blowing the air downwards, creating the wind chill effect.

Suitable for hot weather conditions.



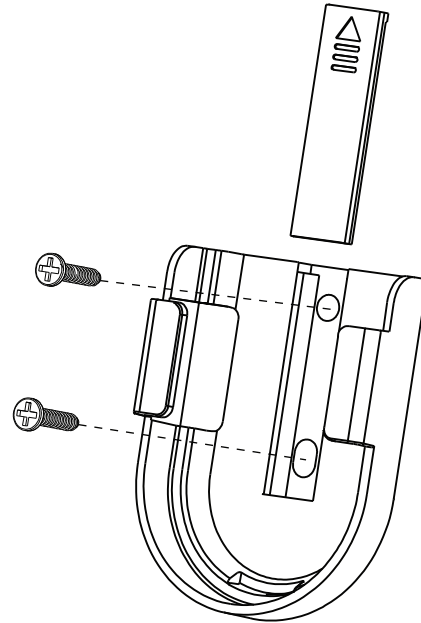
Reverse

Fan rotates clockwise, drawing the air towards the ceiling circulating the warm air downwards. This function works best at low speeds.

Suitable for air-conditioned conditions.

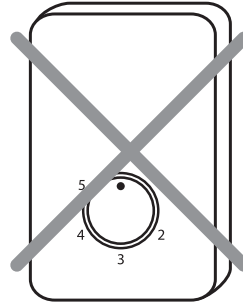
Transmitter Assembly

Install the Transmitter Holder to wall
with the 2 Screws provided.

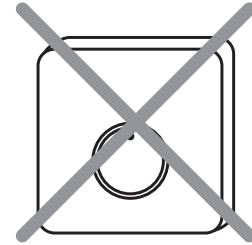


Power Supply Connection

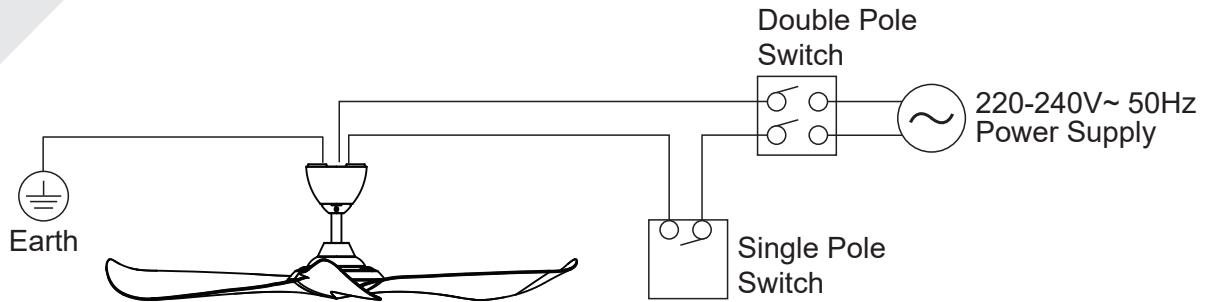
IMPORTANT : DO NOT CONNECT THIS REMOTE CONTROL CEILING FAN TO REGULATOR OR DIMMER SWITCH.



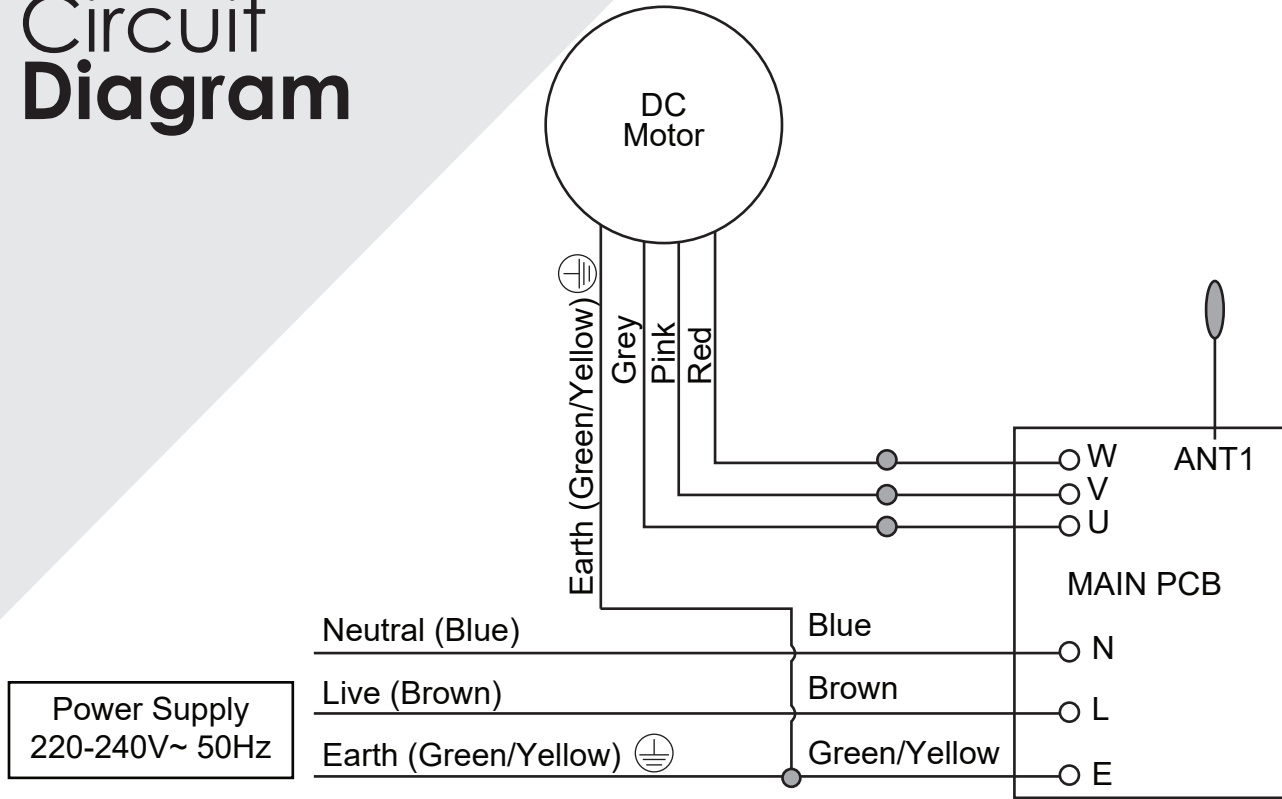
Regulator



Dimmer Switch



Circuit Diagram



Maintenance

Due to the fan's natural movement, connections may get loose after a period of usage. To ensure a proper and safety usage, it is highly recommended to inspect and tighten all connections every **6 months**.

Cleaning

Cleaning your fan periodically will prolong its new appearance. Basic fan leaning procedures are as follows:

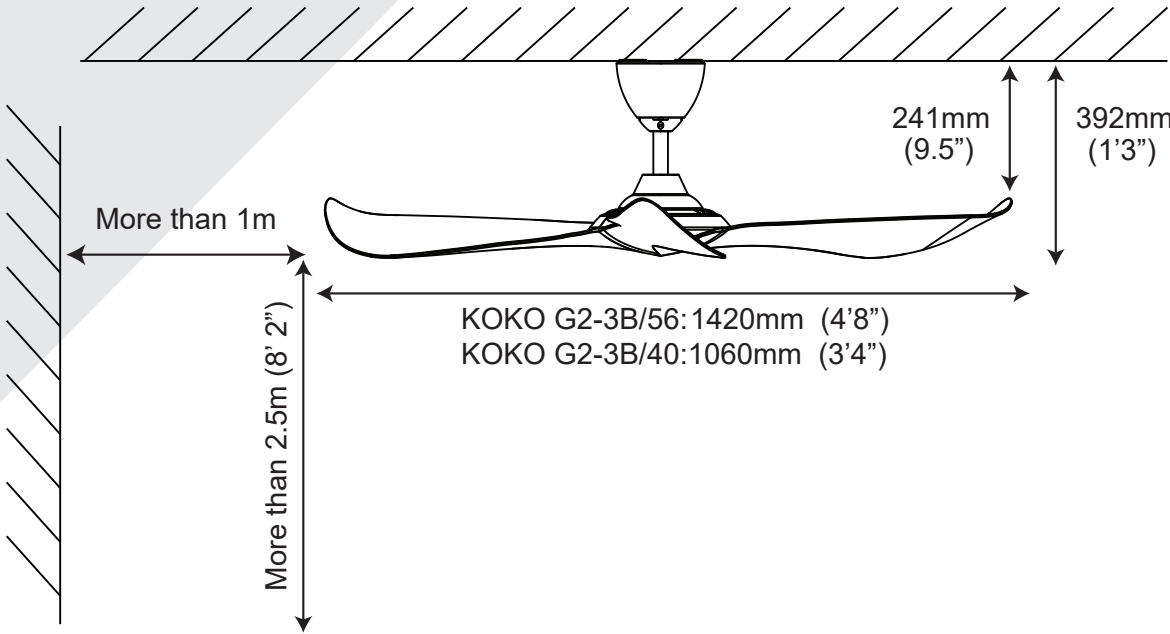
1. Use only lukewarm water. Do not use detergent, corrosive or acidic solution.
2. Damp the cloth lightly. Use only soft or lint-free cloth to clean the fan. Rough fabric will scratch the surface.
3. Do not bend the blades while cleaning. At the event where blades are bent/damaged, order new set of blades from authorised service centres or dealer shops.
4. There is no need to oil the fan.

Technical Specifications

MODEL	FC-AJ01/B	FC-AJ02/B
Alt. Name	KOKO G2-3B/56	KOKO G2-3B/40
No. of Blades	3	
Fan Width	1420mm (56")	1016mm (40")
Motor RPM	65 - 205	75 - 252
Voltage	220-240V~ 50Hz	
Motor Wattage	4W - 65W	4W - 45W
Nett Weight	6.0kg	5.5kg

Information may subject to 5% variation.

Technical Specifications



Customer Service

If you need any technical assistance or faulty report, please contact our customer service centre at:

ALPHA HOME APPLIANCES SDN. BHD. (390258-H)

Head Office

6, Jalan Sungai Kayu Ara 32/37, Berjaya Park,
Section 32, 40460 Shah Alam, Selangor.

Tel : 03-5740 6666 Fax : 03-5740 8220

Website : www.alphamalaysia.com

www.alkovagallery.com

Email : info@alphamalaysia.com

Johor

71, Jalan Molek 3/10,

Taman Molek, 81100 Johor Bahru.

Tel : 07-353 4833 / 4933 Fax : 07-355 4233

Melaka

19, 19-1 & 19-2, Jalan KSB 11,

Taman Kota Syahbandar, 75200 Melaka.

Tel : 06-292 6292 / 6293 Fax : 06-292 6296

Perak

11, Laluan Tasek Timur 5,

Taman Tasek Indra, 31400 Ipoh, Perak.

Tel : 05-545 2282 / 547 2282

Fax : 05-547 6282

Penang

28, Jalan Icon City, Icon City,

14000 Bukit Mertajam, Penang.

Tel : 04-506 2366 / 2066 / 2566

Fax : 04-506 2966

Pahang

A131, TK1, Jalan Wang Ah Jang,

Taman Liza, 25100 Kuantan, Pahang.

Tel : 09-516 522 Fax : 09-513 9226