



Instruction Manual

TOWER FAN
Model : TWF10-DC

SAFETY PRECAUTION

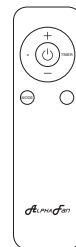
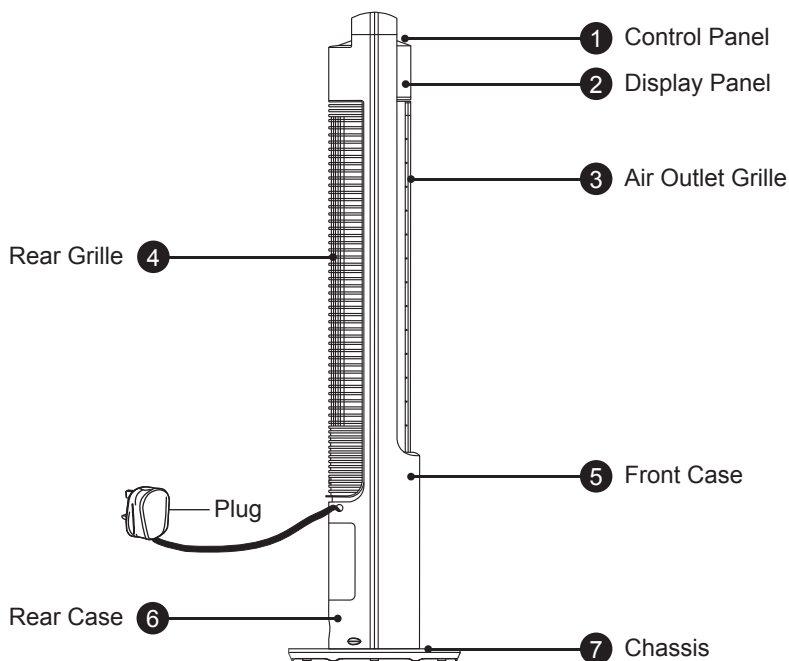
IMPORTANT : PLEASE READ BEFORE USING THE APPLIANCE. SAFETY PRECAUTION SHOULD BE FOLLOWED TO REDUCE THE RISK OF FIRE ELECTRICAL SHOCK AND PERSONAL INJURY.

1. Unplug the Power Cord during installation, cleaning or relocation of appliance.
2. Do not modify the length of the Power Cord.
3. Do not use the appliance if the Power Cord or Plug is damaged, or the power socket is loose.
4. Repairing/servicing of the appliance must be carried out by authorized and qualified electricians only.
5. If the Power Cord is damaged, it must be replaced by the manufacturer, its service agent or similarly qualified person to avoid a hazard.
6. Do not touch the appliance and Plug when your hands are wet.
7. Do not expose the appliance to dripping or splashing water or objects filled with water, such as vase.
8. Do not use the appliance near the gas stove, any fire source, unusually humid or high temperature, oil soot with a lots of metal powder, objects that may be drawn to fan, such as drapes or curtain and outdoor.
9. Do not insert hands or fingers into the appliance, or movable parts.
10. Place the appliance on a stable and level surface.
11. Do not hang or mount appliance on wall or ceiling.
12. Do not operate or use when appliance housing is damaged.
13. This appliance is not intended for use by persons (including children) with reduced physical, sensory or mental capabilities, or lack of experience and knowledge, unless they have been given supervision or instruction concerning use of the appliance by a person responsible for their safety. Children should be supervised to ensure that they do not play with the appliance.
14. Ensure that the fan is switched off from the supply mains before removing the guard.

WARNING

This appliance is designed to use only those parts supplied with this appliance and/or accessories designated specifically for use with this appliance. Using parts and/or accessories not designated for use with this appliance could result in personal injury or property damage.

PARTS & ACCESSORIES



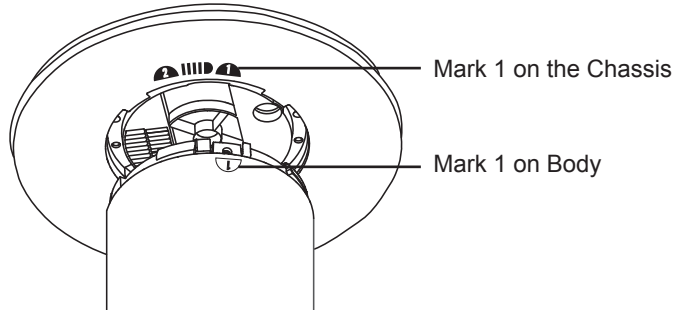
Remote Control

INSTALLATION METHOD

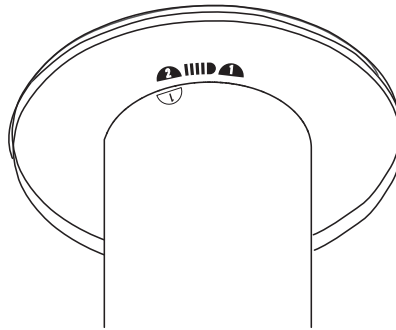
IMPORTANT : BEFORE PERFORMING ANY CLEANING & MAINTENANCE WORK, UNPLUG APPLIANCE FROM THE SUPPLY SOCKET.

1. Install Chassis

Align the Mark 1 on Chassis with the Mark 1 on Body.

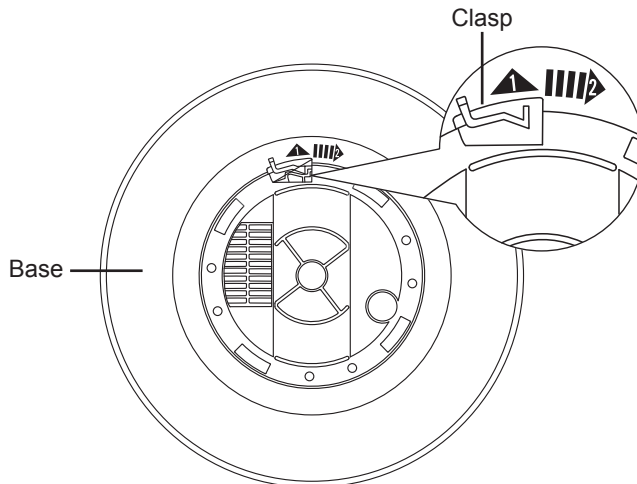


Rotate the Body towards Mark 2 on Chassis until it is lock with “Click” sound. If this step is done correctly, the Body will attach firmly to the Chassis.

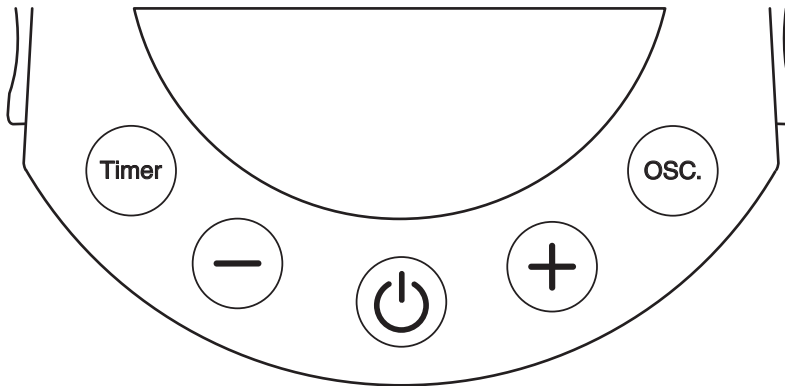


2. Disassemble Chassis

Turn over the Body, press the lock Clasp on Chassis towards arrow direction - Mark 1, rotate towards Mark 2 direction to remove Chassis from Body.



CONTROL PANEL



POWER - ON or OFF Tower Fan.



OSCILLATION - Auto horizontal direction.







TIMER - On timer setting for 0.5 hr to 12 hr.
- Off timer setting for 0.5 hr to 12 hr.




FAN SPEED - Increase fan speed.




FAN SPEED - Decrease fan speed.

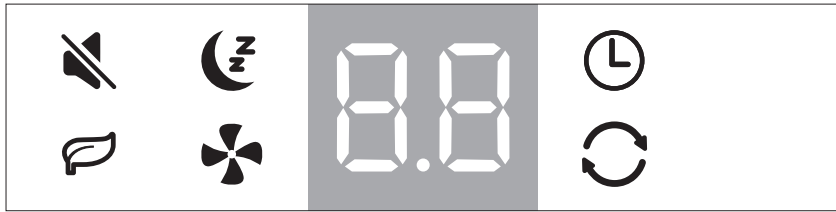
OFF Timer - Turn on the power and select a fan speed. Press  button to select the desire setting. Press  or  to set the hours and press  to confirm.

ON Timer - On standby mode, press  button to select the desire setting. Press  or  to set the hours and press  to confirm.







To check on the remaining time, press  button.

To cancel timer setting, press and hold  button for 3 sec.

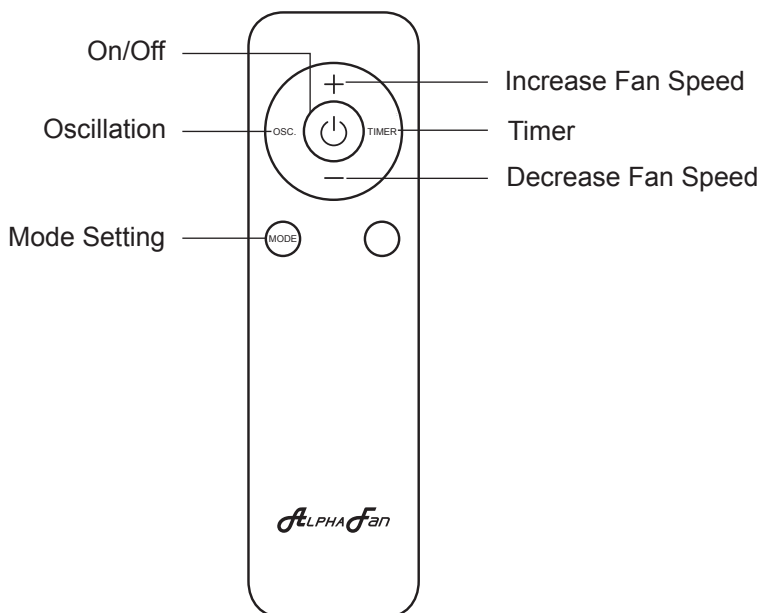
DISPLAY PANEL



Function Mode

-  **SILENT** - Operate in speed 1.
-  **NATURAL** - Fan speed changes within its range creating gentle sea-breeze effect.
 - 1 - fan speed changes within speed 1 - 3 range.
 - 2 - fan speed changes within speed 5 - 7 range.
 - 3 - fan speed changes within speed 7 - 10 range
 - 4 - fan speed changes within speed 9 - 12 range.
-  **SLEEP** - Gradually reduces fan speed every 1hr till speed 1.
-  **NORMAL** - 12 fan speed selections.
-  **TIMER** - Timer function activated.
-  **OSCILLATION** - Oscillation function activated.

REMOTE CONTROL FUNCTION



MAINTENANCE

1. Use only lukewarm water and mild detergent to clean the appliance. Do not use corrosive or acidic solution.
2. Use soft or lint-free cloth to clean the appliance. Rough fabric will scratch the surface.
3. To clean between the louvers, use pipe cleaner, flexible dust wand, vacuum cleaner or compressed air to gently remove dust.
4. DO NOT wet or immerse the appliance, motor, switch, power cord and plug in water.

This electric product is in accordance with the relevant safety requirements.

Repairs should only be carried out by qualified persons using original spare parts, otherwise this may result in considerable danger to the user.

Please contact the Customer Service Centre (below contact list) after sale services if any.

TECHNICAL SPECIFICATIONS

Model	TWF10-DC
Voltage	220V-240V~ 50Hz
Wattage	35W
Noise Level	≤63dB
Nett Weight	6.80Kg

CUSTOMER SERVICE CENTRE

If you need any technical assistance or faulty report, please contact our customer service centre at :

Malaysia

Alpha Home Appliances Sdn. Bhd. (390258-H)

Head Office : 6, Jalan Sungai Kayu 32/37, Berjaya Park, Sect 32, 40460 Shah Alam, Selangor.

Tel : 03-5740 6666 Fax : 03-5740 8220

Website : www.alphamalaysia.com Email : info@alphamalaysia.com

Johor : 71, Jalan Molek 3/10, Taman Molek, 81100 Johor Bahru.

Tel : 07-353 4833 / 4933 Fax : 07-355 4233

Melaka : 19, 19-1 & 19-2, Jalan KSB 11, Taman Kota Syahbandar, 75200 Melaka.

Tel : 06-292 2398 / 2399 Fax : 06-292 2392

Perak : 16, Jalan Tasek Timur, Taman Tasek Indra, 31400 Ipoh, Perak.

Tel : 05-545 2282 / 547 2282 Fax : 05-547 6282

Penang : 28 Jalan Icon City, Icon City, 14000 Bukit Mertajam, Pulau Pinang.

Tel : 04-506 2366 / 2066 / 2566 Fax : 04-506 2966

Pahang : A131, Jalan Dato Wong Ah Jang, Taman Liza, 25100 Kuantan, Pahang.

Tel : 09-516 5226 Fax : 09-513 9226

Singapore

Alpha Sales & Services Pte. Ltd. (200709461 R)

50, Ubi Avenue 3, #02-16/17, Frontier, Singapore 408866.

Tel : +65 6841 0111 Fax : +65 6747 0030

Website : www.alphasingapore.com Email : customercare@alphasingapore.com