

COSA

Instruction Manual

Ceiling Fan
CX118/56

Version: 2020 V1

Table of Contents

Item	Page No.
1. Safety Precautions	1 - 2
2. Parts & Accessories	3
3. Installation Instruction	4 - 8
4. Transmitter Assembly & Operation	9
5. Power Supply Connection	9 - 10
6. Circuit Diagram	10
7. Maintenance	11
8. Technical Specifications	11 - 12
9. Customer Service Centre	12

Safety Precaution

Warning

Installation and maintenance work shall only be performed by qualified persons, familiar with local code and regulation, and experienced with this type of appliance.

All field wiring must be installed in accordance with the national wiring regulation.

Ensure that the rated voltage of the unit corresponds to that of the name plate before commencing wiring work according to the wiring diagram.

The unit must be GROUNDED to prevent possible hazard due to insulation failure.

The earth wire is approximately 60mm longer than safety wire. This is to ensure at the event whereby the suspension system fails, the (L) and (N) wire will break leaving the fan remain earthed to prevent electrocution.

Tighten the blade firmly using a screw driver.

Blades that are detached from the unit during operation will cause serious injuries and property damages.

This appliance is not intended for use by persons (including children) with reduced physical, sensory or mental capabilities, or lack of experience and knowledge, unless they have been given supervision or instruction concerning use of the appliance by a person responsible for their safety.

Children should be supervised to ensure that they do not play with the appliances.

Confirm that the power supply has been switched OFF before installing or servicing the unit. Ensure that the blade is fully static before doing any maintenance work.

Safety Precaution

STOP using the ceiling fan when any abnormality or failure occurs.

If unusual oscillating movement is observed, immediately stop using the ceiling fan and contact the manufacturer, its service agent or suitably qualified persons.

CAUTION

Please take note of the following important points when installing.

The fixing means for attachment to the ceiling such as hooks or other devices shall be fixed with a sufficient strength to withstand 4 times the weight of the ceiling fan.

The mounting of the suspension system shall be performed by the manufacturer, its service agent or suitably qualified persons.

The fan is to be installed so that the blades are more than 2.5m above the floor.

Safety cord should not be longer than the earthing conductor.

Should failure of the suspension system occur, the supporting of the fan must not rely on the earthing conductor. The earthing terminal in the fan assembly should be such that should any part of the suspension system fall off, the body of the fan assembly shall effectively earthed.

Ensure that the unit's panel is closed after service or installation.

Unsecured panels will cause the unit to operate noisily.

Sharp edges and coil surfaces are potential locations which may cause injury hazards. Avoid from being in contact with these places.

Before turning off the power supply set the remote controller's ON/OFF switch to the "OFF" position.

If this is not done, the unit's fans will start turning automatically when power resumes, posing a hazard to service personnel or the user.

Do not operate any heating apparatus too close to the ceiling fan unit or use in room where mineral oil, oil vapour or oil steam exist, this may cause plastic part to melt or deform as a result of excessive heat or chemical reaction.

Ensure the colour of wires of the outdoor unit and the terminal markings are same to the indoors respectively.

Don't use joined and twisted wires for incoming power supply.

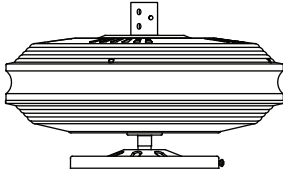
Do not place any object in the path of the blades. Avoid raising objects or your arms near the ceiling fan.

The fan suspension system and blade screw tightening shall be examined yearly.

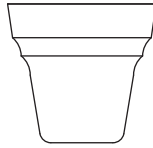
Replacement of parts of the safety suspension system device shall be performed by the manufacturer, its service agent or suitably qualified persons.

Torque value for screw/bolts for securing primary suspension system for motor is 2Nm.

Parts & Accessories



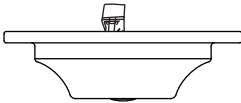
Motor Assembly



Canopy



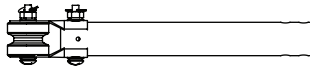
Coupling Cover





Switch Housing with Receiver

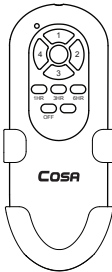


Fan Blade x 5



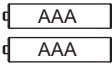
Rubber Pulley Assembly with Downrod

	
<p>Bolt, Washer, Nut and Clevis Pin x 2</p>	<p>Blade Holder Screw x 1</p>




Transmitter & Holder x 1

Battery x 2



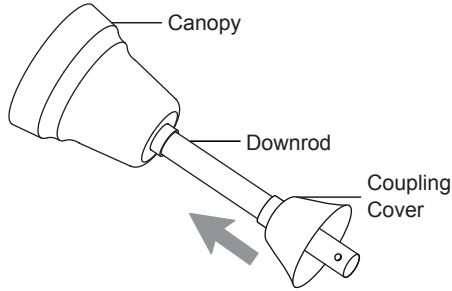
Wall Screw x 2



Installation Instruction

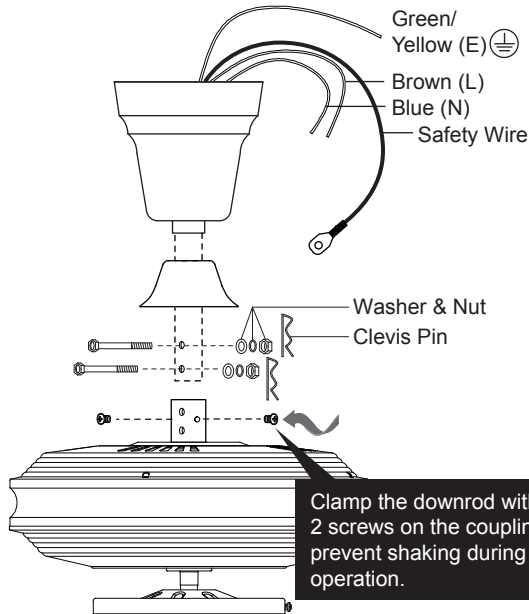
IMPORTANT : SWITCH OFF THE ELECTRICAL MAINS AT THE CIRCUIT BREAKER FUSE BOX.

Step 1 - Assemble the Canopy and Coupling Cover through the Downrod.



Step 2 - Route all the wires from the Motor through the Downrod. Fix the Downrod to the coupling with Bolt, Washer, Nut and tighten them firmly then insert the Clevis Pin.

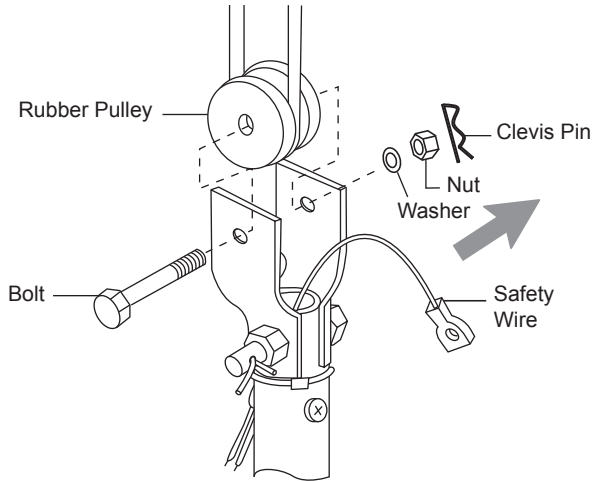
IMPORTANT : Clevis Pin MUST be inserted to prevent Nut from loosening.



Installation Instruction

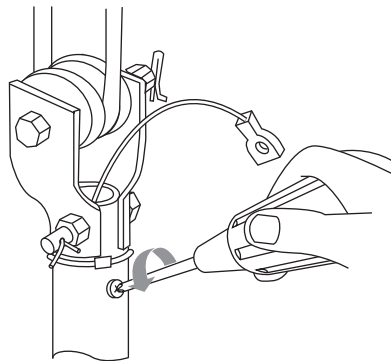
Step 3 - Remove the Bolt, Clevis Pin, Nut, Washer and Rubber Pulley from the Downrod. Place the Rubber Pulley onto the ceiling hook and fix back the Bolt, Clevis Pin, Nut and Washer.

IMPORTANT : Clevis Pin **MUST** be inserted to prevent Nut from loosening.



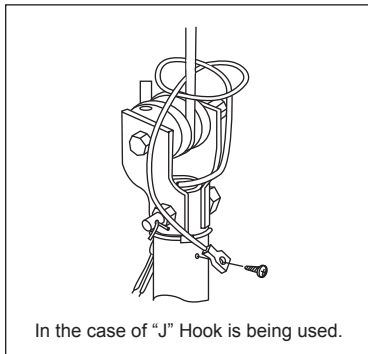
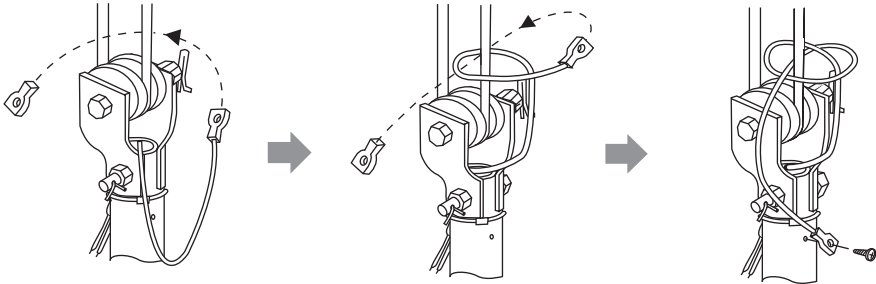
Step 4 - Remove the Safety Wire screw and spring washer from the Downrod.

IMPORTANT : Clevis pin **MUST** be inserted to prevent Nut from loosening.

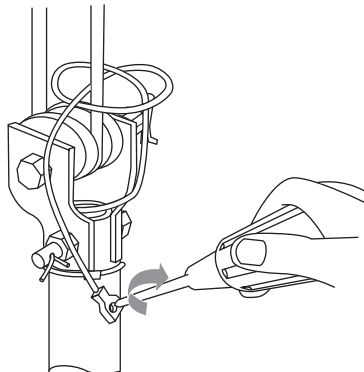


Installation Instruction

Step 5 - Tie the Safety Wire across the hook as shown.

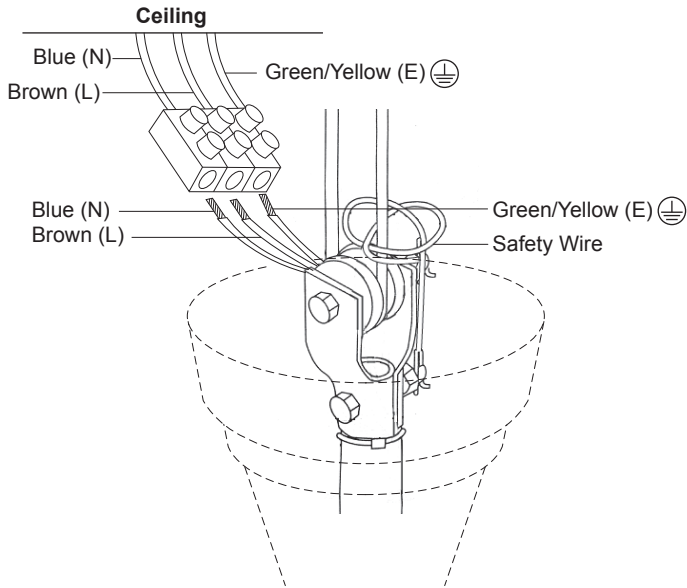


Step 6 - Firmly screw the Safety Wire with spring washer onto the Downrod.

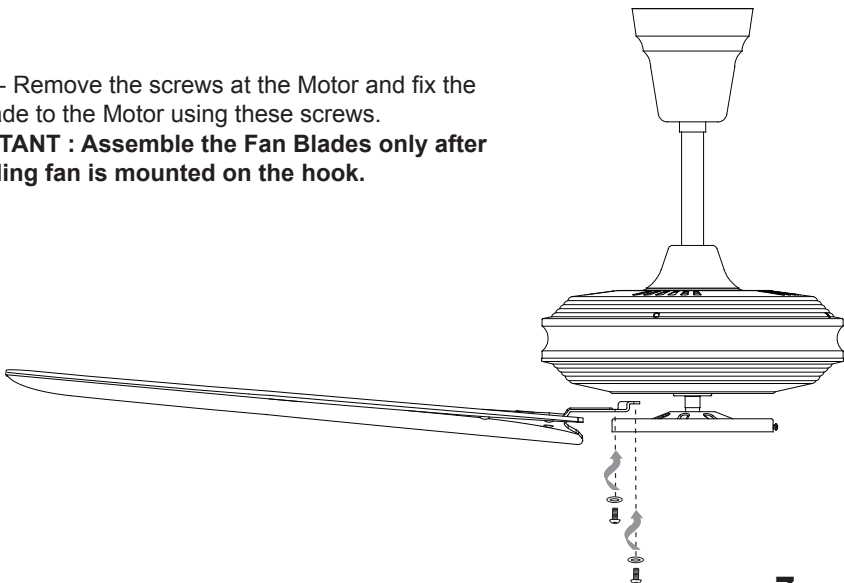


Installation Instruction

Step 7 - Connect the blue & brown wire to the house's supply wire.
Diagram shows a complete assembly of the ceiling fan with Safety Wire mounted on the hook.

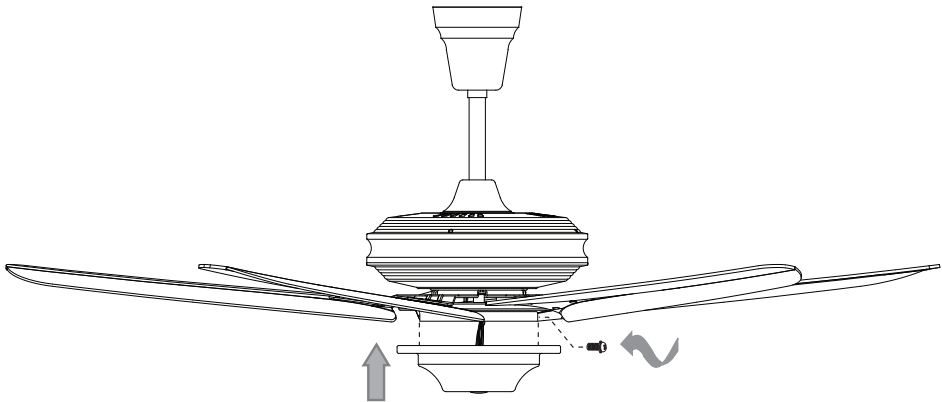
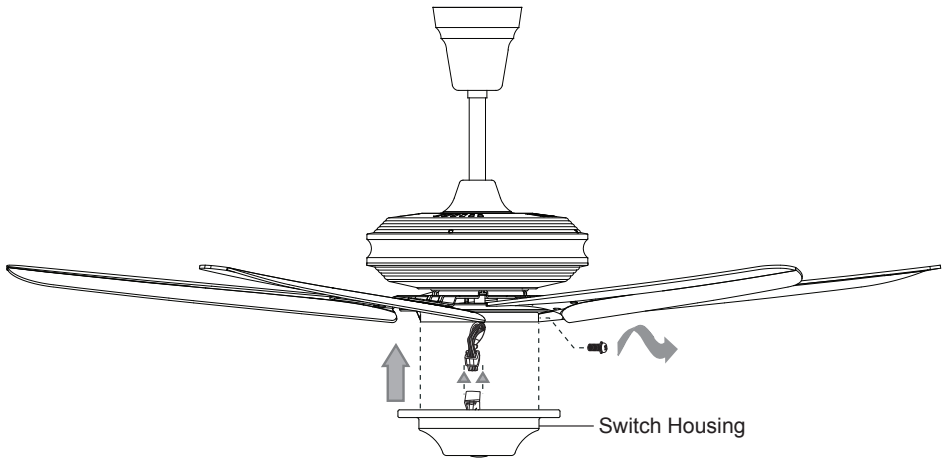


Step 8 - Remove the screws at the Motor and fix the Fan Blade to the Motor using these screws.
IMPORTANT : Assemble the Fan Blades only after the ceiling fan is mounted on the hook.



Installation Instruction

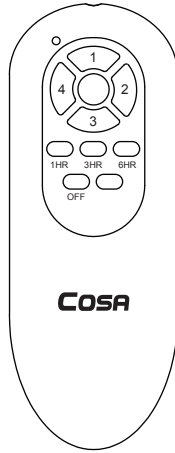
Step 9 - Connect the male plug on fitter plate to female plug in Switch Housing. Loosen the 3 screws on the fitter plate. Align the slotted holes on switch housing and fitter plate and tighten back the 3 screws.



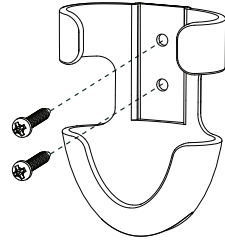
Transmitter Assembly & Operation

Function of Transmitter

- 1 ~ 4 - Fan speed
- 1HR - Fan stops after 1hr
- 3HR - Fan stops after 3hr
- 6HR - Fan stops after 6hr
- OFF - Turn off fan

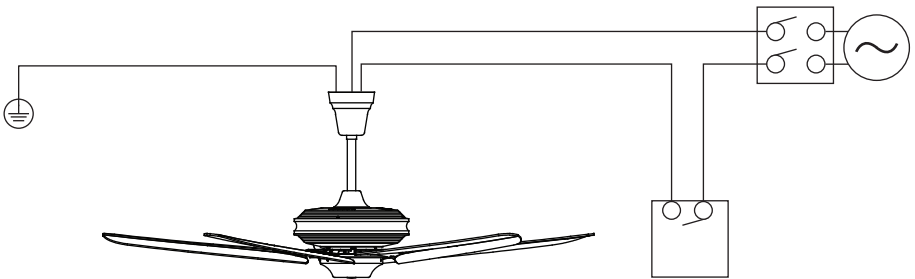


Mount transmitter holder on the wall with the screws provided.



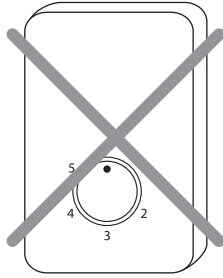
Power Supply Connection

IMPORTANT : DO NOT CONNECT THIS REMOTE CONTROL CEILING FAN TO REGULATOR OR DIMMER SWITCH.

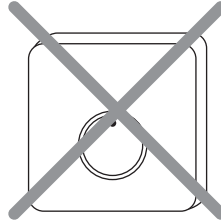


Power Supply Connection

IMPORTANT : DO NOT CONNECT THIS REMOTE CONTROL CEILING FAN TO REGULATOR OR DIMMER SWITCH.

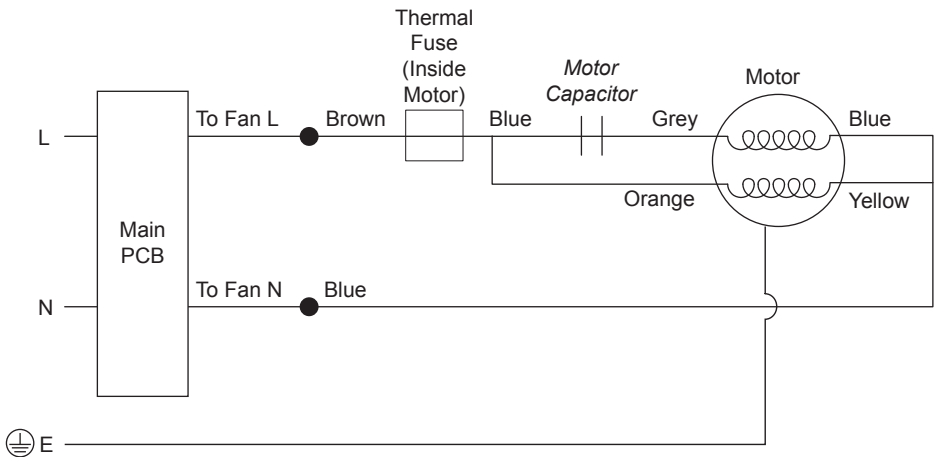


Regulator



Dimmer Switch

Circuit Diagram



Maintenance

Due to the fan's natural movement, connections may get loose after period of usage. To ensure a proper and safety usage, it is highly recommended to inspect and tighten all connections every 6 months.

Cleaning

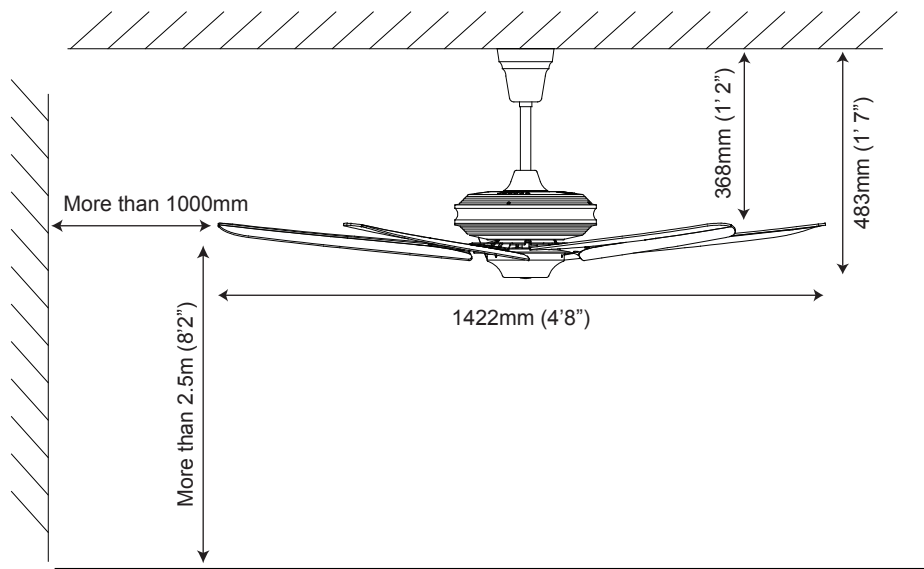
Cleaning your fan periodically will prolong its new appearance. Basic cleaning procedures are as follows :

1. Use only water and mild soap. Do not use solvents, corrosive or acidic solution.
2. Damp the cloth lightly. Use only soft or lint-free cloth to clean the fan. Rough fabric will scratch the surface.
3. Do not bent the blades while cleaning. At the event where blades are bent or damage, order new set of blades from service center or dealer shop.
4. There is no need to oil the fan.

Technical Specifications

Model	CX118/56
No. of Blades	5
Fan Width	56"
Motor RPM	95 - 220
Voltage	220-240V~ 50Hz
Wattage	20W - 80W
Nett Weight	7.5kg

Technical Specifications



Customer Service Centre

If you need any technical assistance or faulty report, please contact our customer service centre at :

Alpha Home Appliances Sdn. Bhd. (390258-H)

Head Office : 6, Jalan Sungai Kayu Ara 32/37, Berjaya Park, Section 32,
40460 Shah Alam, Selangor.

Tel : 03-5740 6666

Fax : 03-5740 8220

Website : www.alphamalaysia.com

Email : info@alphamalaysia.com

Johor Bahru : 71, Jalan Molek 3/10, Taman Molek, 81100 Johor Bahru.

Tel : 07-353 4833 / 4933

Fax : 07-355 4233

Melaka : 19, 19-1 & 19-2, Jalan KSB 11, Taman Kota Syahbandar, 75200 Melaka.

Tel : 06-292 6292 / 6293

Fax : 06-292 6296

Ipoh : 11, Laluan Tasek Timur 5, Taman Tasek Indra, 31400 Ipoh, Perak.

Tel : 05-545 2282 / 547 2282

Fax : 05-547 6282

Penang : 28, Jalan Icon City, Icon City, 14000 Bukit Mentajam, Penang.

Tel : 04-506 2366 / 2066 / 2566

Fax : 04-506 2966

Pahang : A131, TK1, Jalan Wang Ah Jang, Taman Liza, 25100 Kuantan, Pahang.

Tel : 09-516 5226

Fax : 09-513 9226