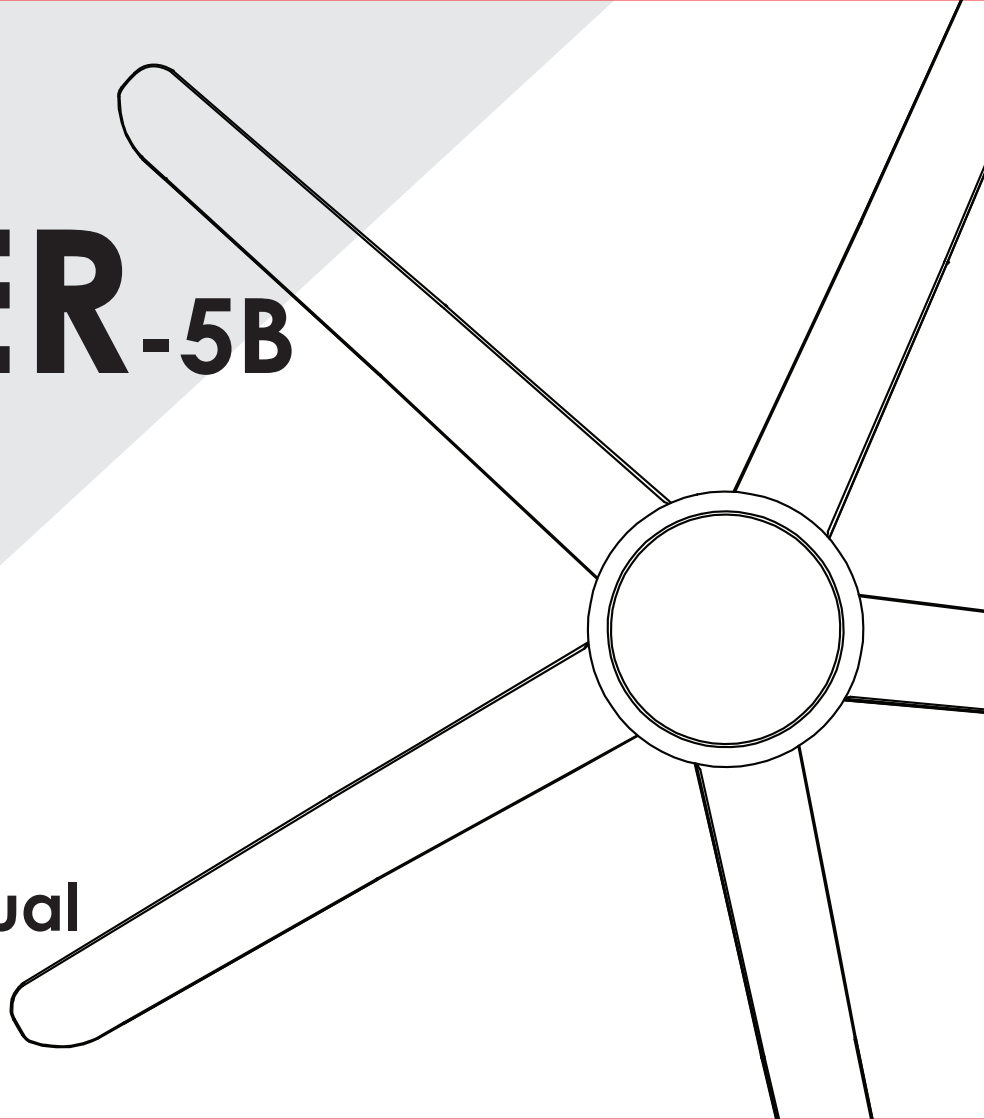


ALKOVA
RACER-5B
60/56/40

Instruction **Manual**

Version: 2023 V1



Content

Item

Page No.

1. Safety Precaution	2
2. Parts & Accessories	6
3. Installation Instruction	8
4. Transmitter Function & Assembly	17
5. Power Supply Connection & Circuit Diagram	20
6. Maintenance	22
7. Technical Specifications	23
8. Customer Service Centre	25

Safety Precaution

WARNING

Installation and maintenance work shall only be performed by qualified persons, familiar with local code and regulation, and experienced with this type of appliance.

All field wiring must be installed in accordance with the national wiring regulation.

Ensure that the rated voltage of the unit corresponds to that of the name plate before commencing wiring work according to the wiring diagram.

The appliance must be permanently connected to the electricity supply through a double pole switch having a contact separation of at least 3mm in all poles.

The unit must be GROUNDED to prevent possible hazard due to insulation failure.

The earth wire is approximately 60mm longer than safety wire. This is to ensure at the event whereby the suspension system fails, the (L) and (N) wire will break leaving the fan remain earthed to prevent electrocution.

Tighten the blade firmly using a screw driver.

Blades that are detached from the unit during operation will cause serious injuries and property damages.

Safety Precaution

WARNING

This appliance is not intended for use by persons (including children) with reduced physical, sensory or mental capabilities, or lack of experience and knowledge, unless they have been given supervision or instruction concerning use of the appliance by a person responsible for their safety.

Children should be supervised to ensure that they do not play with the appliance.

Confirm that the power supply has been switched OFF before installing or servicing the unit. Ensure that the blade is fully static before doing any maintenance work.

STOP using the ceiling fan when any abnormality or failure occurs.

If unusual oscillating movement is observed, immediately stop using the ceiling fan and contact the manufacturer, its service agent or suitably qualified persons.

CAUTION

Please take note of the following important points when installing.

The fixing means for attachment to the ceiling such as hooks or other devices shall be fixed with a sufficient strength to withstand 4 times the weight of the ceiling fan.

Safety Precaution

CAUTION

The mounting of the suspension system shall be performed by the manufacturer, its service agent or suitably qualified persons.

The fan is to be installed so that the blades are more than 2.5m above the floor.

Safety cord should not be longer than the earthing conductor.

Should failure of the suspension system occur, the supporting of the fan must not rely on the earthing conductor.

The earthing terminal in the fan assembly should be such that should any part of the suspension system fall off, the body of the fan assembly shall effectively earthed.

Ensure that the unit's panel is closed after service or installation.

Unsecured panels will cause the unit to operate noisily.

Sharp edges and coil surfaces are potential locations which may cause injury hazards. Avoid from being in contact with these places.

Before turning off the power supply set the remote controller's ON/OFF switch to the "OFF" position.

Safety Precaution

If this is not done, the unit's fans will start turning automatically when power resumes, posing a hazard to service personnel or the user.

Do not operate any heating apparatus too close to the ceiling fan unit or use in room where mineral oil, oil vapour or oil steam exist, this may cause plastic part to melt or deform as a result of excessive heat or chemical reaction.

Avoid the ceiling fan unit from exposing to direct sunlight, this may cause degradation of plastic material as a result of excessive heat and UV radiation

Ensure the colour of wires of the outdoor unit and the terminal markings are same to the indoors respectively.

Do not use joined and twisted wires for incoming power supply.

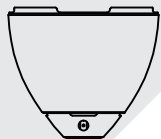
Do not place any object in the path of the blades. Avoid raising objects or your arms near the ceiling fan.

The fan suspension system and blade screw tightening shall be examined yearly.

Replacement of parts of the safety suspension system device shall be performed by the manufacturer, its service agent or suitably qualified persons.

Torque value for screw/bolts for securing primary suspension system for motor is 2Nm.

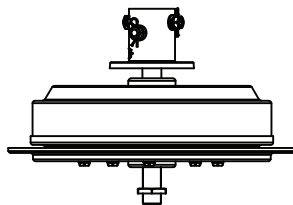
Parts & Accessories



Canopy x 1



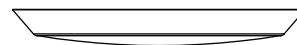
Coupling Cover x 1



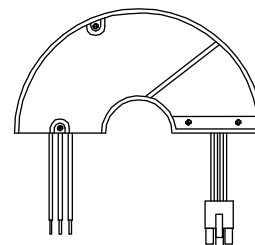
Motor Assembly x 1



Fan Rod x 1

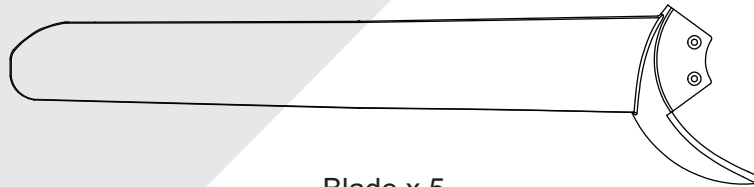


Decorative Cover x 1

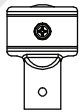


Receiver x 1

Parts & Accessories



Blade x 5



Rubber Pulley
Assembly x 1



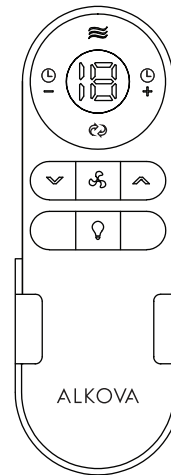
Blade Screw
(Top) x 11



Blade Screw
(Bottom) x 7



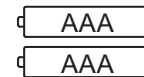
Bolt x 2



Transmitter
& Holder x 1



Wall Screw x 2



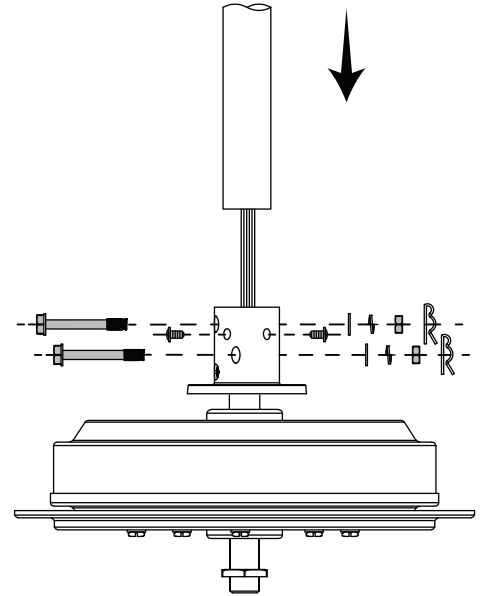
Battery x 2

Installation Instruction

1

Route all the wires from the Motor through the Downrod. Fix the Downrod to the Motor Assembly with Bolt, Washer, Nut and tighten them firmly then insert the Clevis Pin

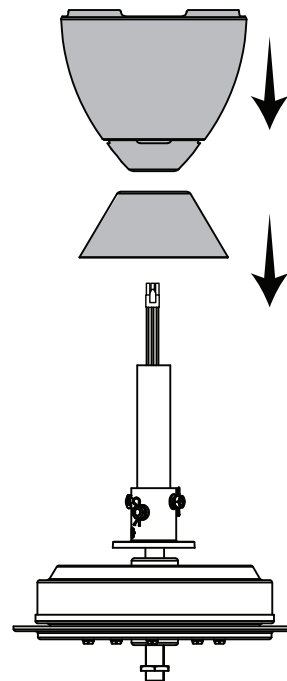
IMPORTANT :
CLEVIS PIN MUST BE INSERT
TO PREVENT NUT FROM
LOOSENING.



Installation Instruction

2

Assemble the Canopy and Coupling Cover
through the Downrod

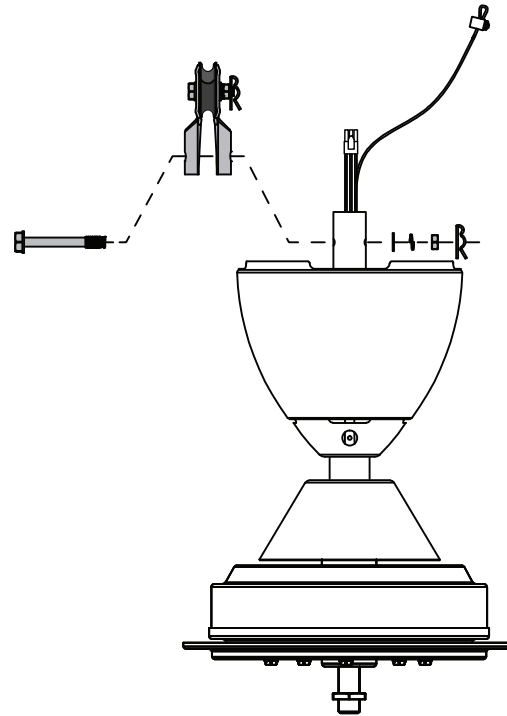


Installation Instruction

3

Fix the Rubber Pulley Assembly to the Downrod with Bolt, Washer, Nut and tighten them firmly, then insert the Clevis Pin.

IMPORTANT :
CLEVIS PIN MUST BE INSERT
TO PREVENT NUT FROM
LOOSENING.



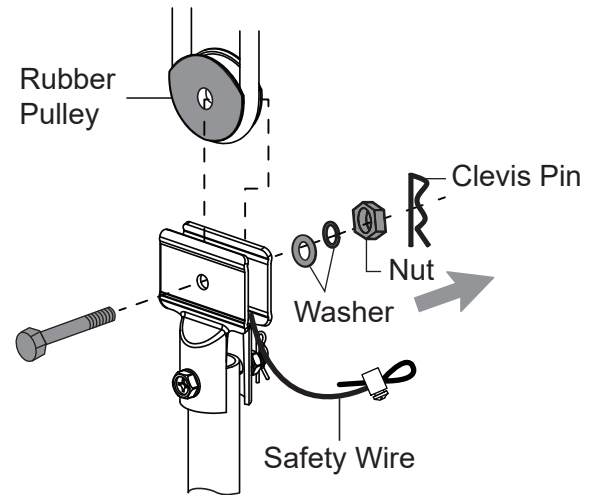
Installation Instruction

4

Remove the Bolt, Washer, Nut, Clevis Pin and Rubber Pulley from downrod.

Place the Rubber Pulley onto the ceiling hook and fix back the Bolt, Washer, Nut and Clevis Pin.

IMPORTANT :
CLEVIS PIN MUST BE INSERT
TO PREVENT NUT FROM
LOOSENING.

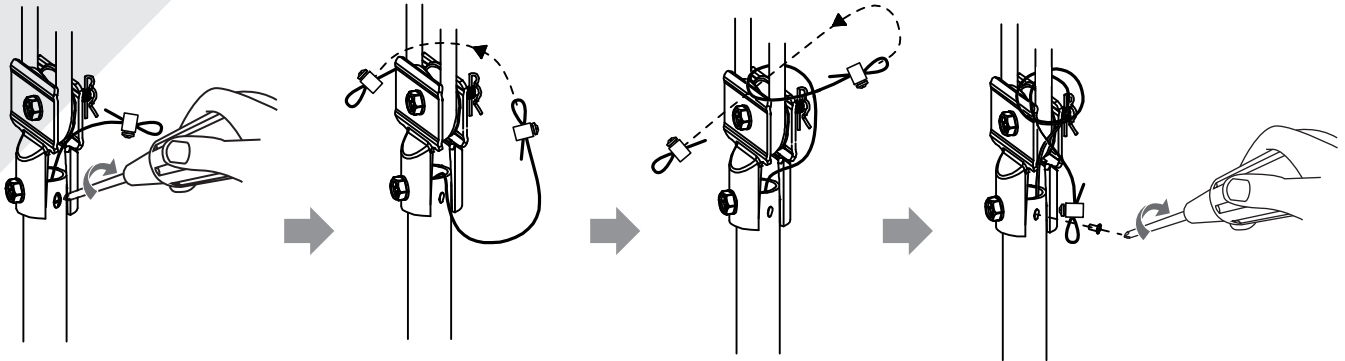


Installation Instruction

5

Remove the Safety Wire screw and spring washer from the Downrod.

Tie the Safety Wire across the hook as shown and firmly screw the Safety Wire onto the Downrod.



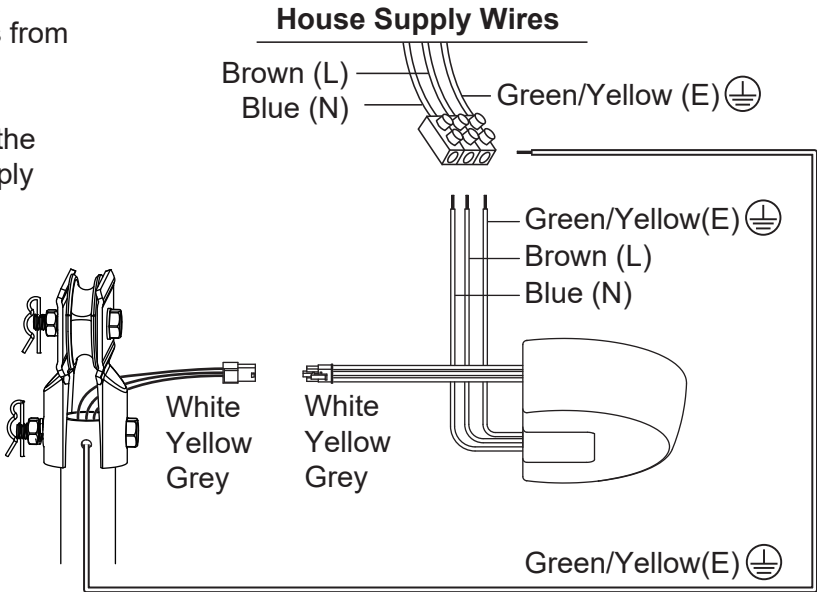
Installation Instruction

6

Connect the Connectors from Fan and Receiver.

Connect the wires from the receiver to House's Supply Wire.

Connect Earth Wire to House Supply Earth Terminal.



Installation Instruction

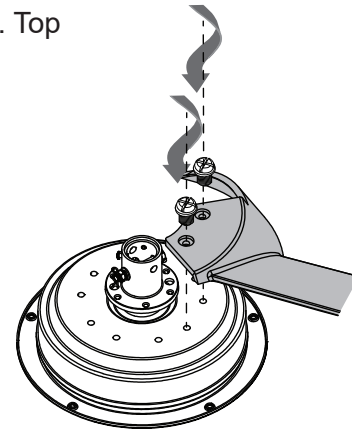
**IMPORTANT : ASSEMBLE THE BLADES
ONLY AFTER THE CEILING FAN IS MOUNTED
ON THE HOOK.**

7

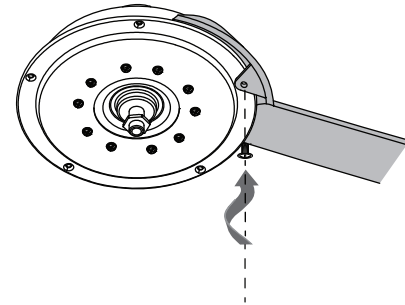
Install the Blades on Motor
with appropriate Blade Screw
Three pieces Blade Screw for
each Fan Blade.

Note: Blade Screw for top and
bottom are different

a. Top



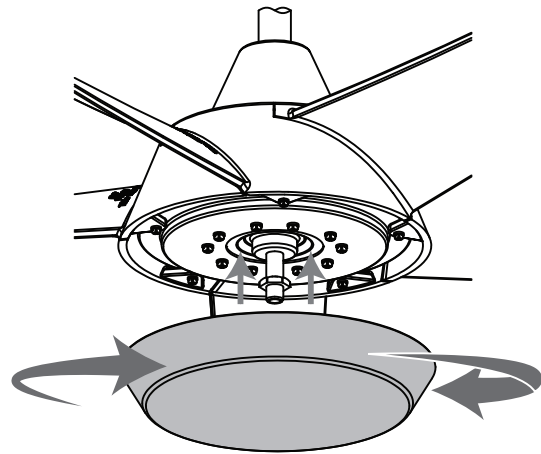
b. Bottom



Installation Instruction

8

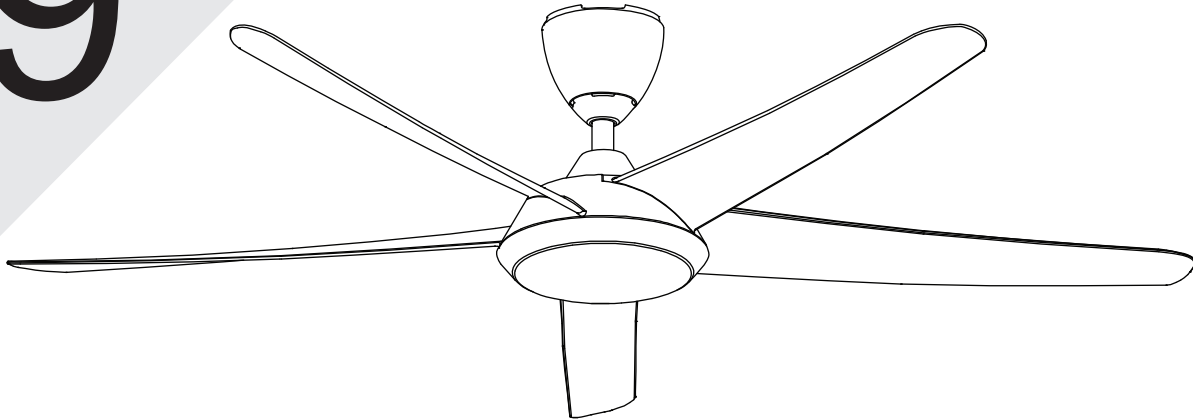
Install the Decorative Cover by twisting in.



Installation Instruction

9

Below shows a complete installation diagram



Transmitter Learning Process

The receiver & transmitter is pre-programmed in factory. If you wish to control 2 or more fans using 1 transmitter, the below steps are required.

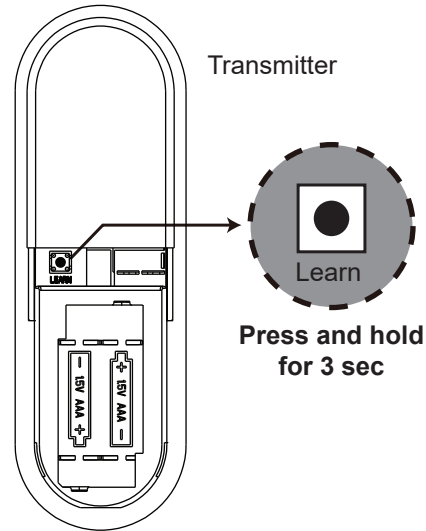
DO NOT PRESS ANY OTHER BUTTON DURING THIS PROCESS

Turn on power to fan.

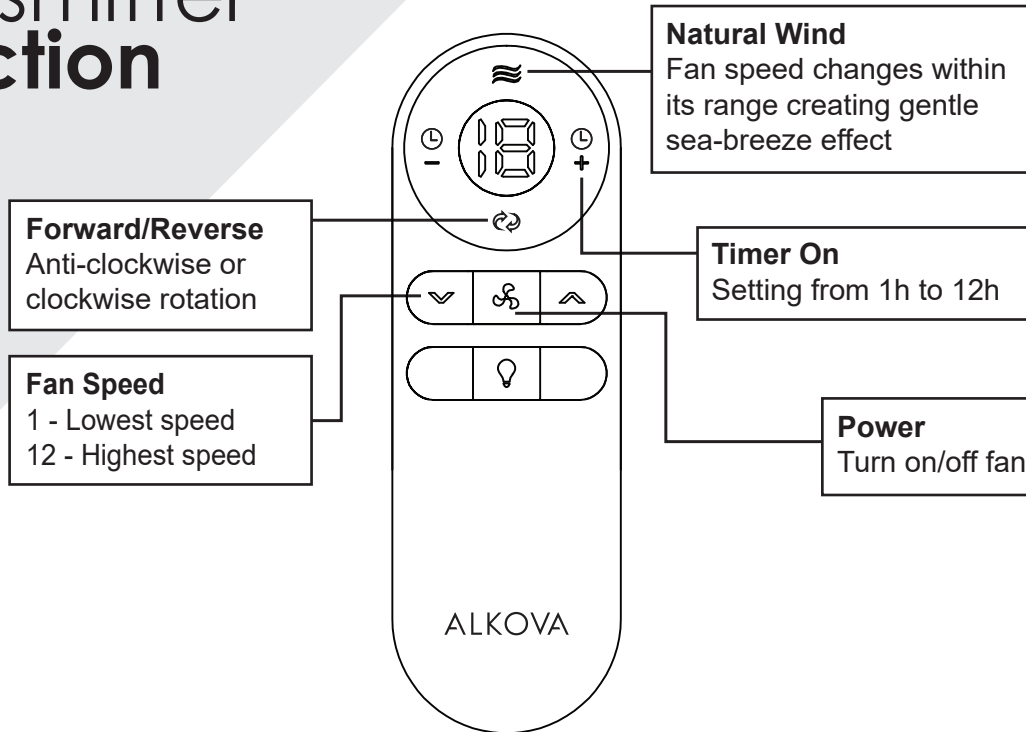
Within 30 sec, press and hold “LEARN” button for 3 sec.

Once receiver has detected the frequency, transmitter with “Beep Beep” twice.

Programming process is completed and fan is ready to use.



Transmitter Function

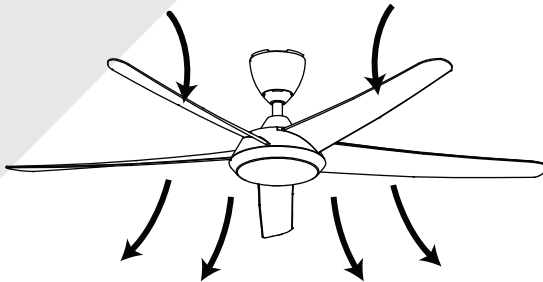


The transmitter & receiver is incorporated with last memory function. This function stores your last setting in memory and the next time you turn on the fan, fan will operate as the last setting.

Function of Forward & Reverse

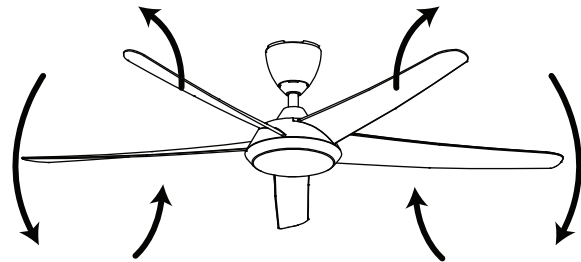
Fan must be turned on and rotating.

Press and hold Forward/Reverse button for 3 sec. Fan will slow down and then change direction (approx. 15 sec). When the fan is slowing down to change direction, the Fan Speed function is disabled until direction has been changed.



Forward

Fan rotates anti-clockwise blowing the air downwards creating the wind chill effect. **Suitable for hot weather condition.**

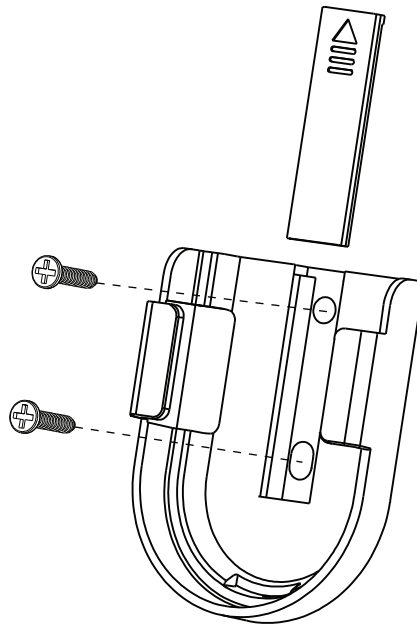


Reverse

Fan rotates clockwise drawing the air towards the ceiling circulating the warm air downwards. This function works best at low speed. **Suitable for air-conditioned condition.**

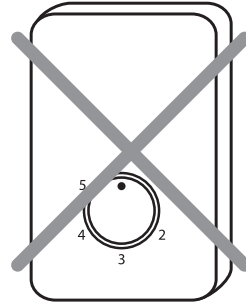
Transmitter Assembly

Install the Transmitter Holder to wall
with the 2 Screws provided.

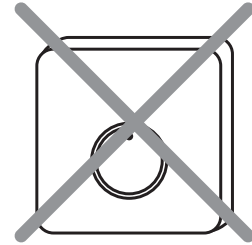


Power Supply Connection

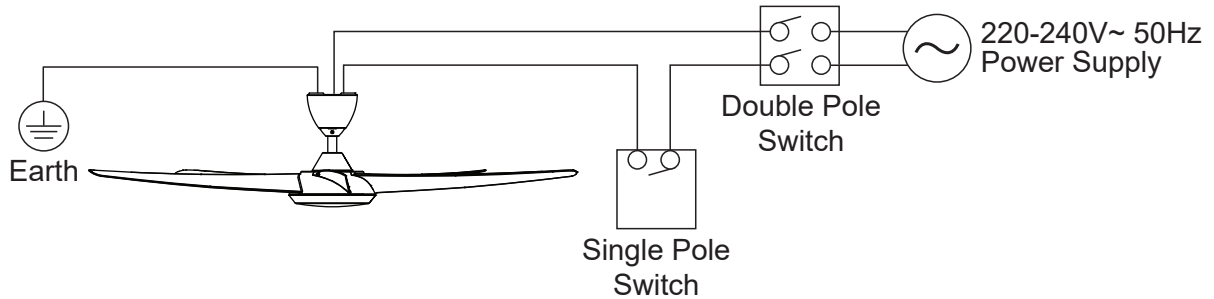
IMPORTANT : DO NOT CONNECT THIS REMOTE CONTROL CEILING FAN TO REGULATOR OR DIMMER SWITCH.



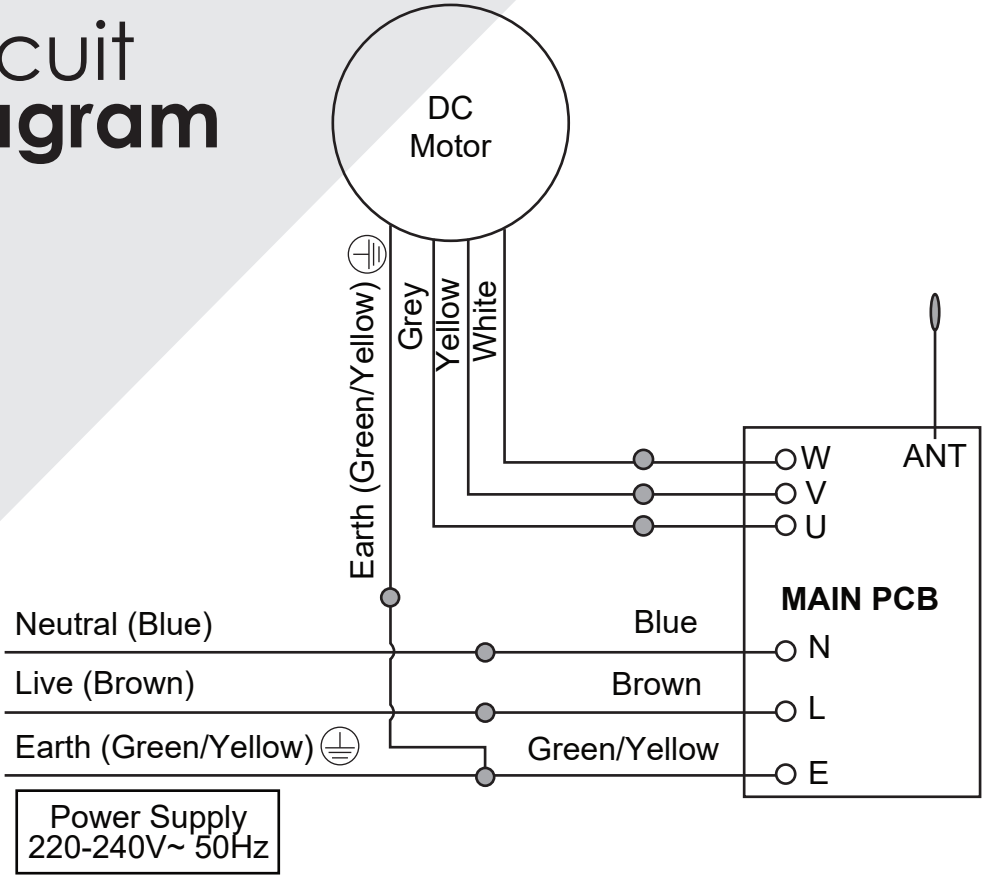
Regulator



Dimmer Switch



Circuit Diagram



Maintenance

Due to the fan's natural movement, connections may get loose after a period of usage. To ensure a proper and safety usage, it is highly recommended to inspect and tighten all connections every 6 months.

Cleaning

Cleaning your fan periodically will prolong its new appearance. Basic cleaning procedures are as follows :

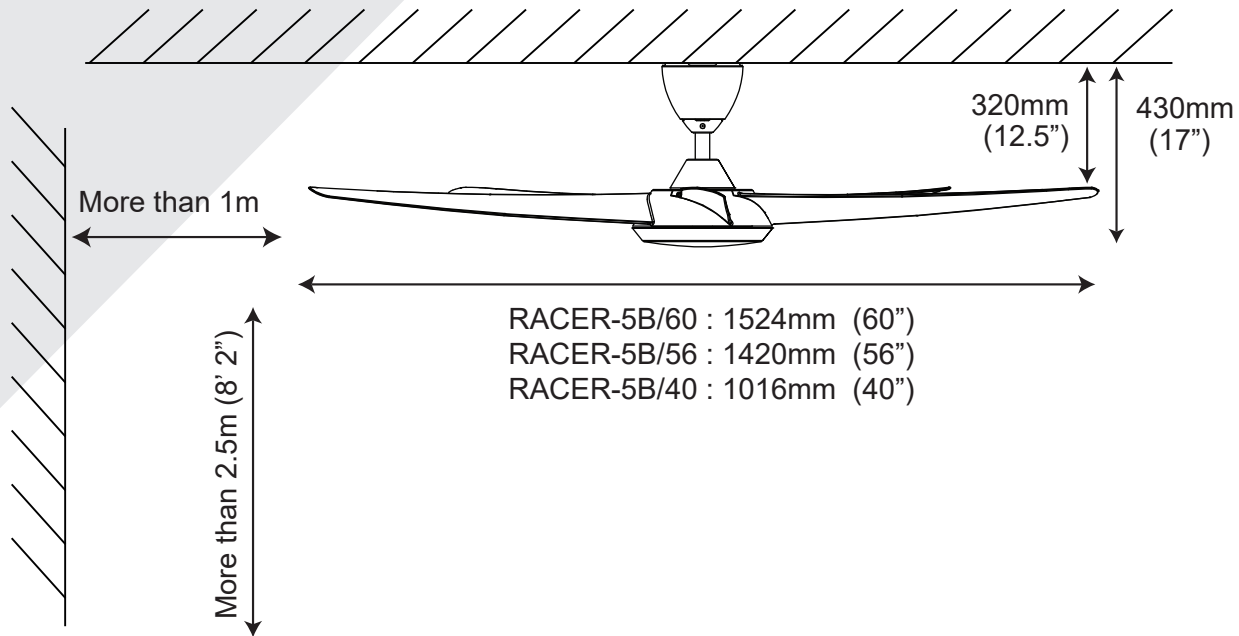
1. Use only lukewarm water. Do not use detergent, corrosive or acidic solution.
2. Damp the cloth lightly. Use only soft or lint-free cloth to clean the fan. Rough fabric will scratch the surface.
3. Do not bend the blades while cleaning. At the event where blades are bent or damage, order new set of blades from service centre or dealer shop.
4. There is no need to oil the fan.

Technical Specifications

MODEL	RACER-5B/60	RACER-5B/56	RACER-5B/40
No. of Blades	5		
Fan Width	1524mm (60")	1420mm (56")	1015mm (40")
Motor RPM	64 - 175	65 - 190	70 - 235
Voltage	220-240V~ 50Hz		
Motor Wattage	5W - 55W	5W - 55W	4W - 35W
Nett Weight	7.5kg	7.0kg	6.0kg

Information may subject to 5% variation.

Technical Specifications



Customer Service

If you need any technical assistance or faulty report, please contact our customer service centre at :

ALPHA HOME APPLIANCES SDN. BHD. (390258-H)

Head Office

6, Jalan Sungai Kayu Ara 32/37, Berjaya Park,
Section 32, 40460 Shah Alam, Selangor.

Tel : 03-5740 6666 Fax : 03-5740 8220

Website : www.alphamalaysia.com
www.alkovagallery.com

Email : info@alphamalaysia.com

Johor

71, Jalan Molek 3/10,

Taman Molek, 81100 Johor Bahru.

Tel : 07-353 4833 / 4933 Fax : 07-355 4233

Pahang

A131, TK1, Jalan Wang Ah Jang,

Taman Liza, 25100 Kuantan, Pahang.

Tel : 09-516 522 Fax : 09-513 9226

Melaka

19, 19-1 & 19-2, Jalan KSB 11,
Taman Kota Syahbandar, 75200 Melaka.

Tel : 06-292 6292 / 6293

Fax : 06-292 6296

Perak

11, Laluan Tasek Timur 5, Pusat Perdagangan
Tasek Indra, 31400 Ipoh, Perak.

Tel : 05-545 2282 / 547 2282

Fax : 05-547 6282

Penang

28, Jalan Icon City, Icon City,
14000 Bukit Mentajam, Penang.

Tel : 04-506 2366 / 2066 / 2566

Fax : 04-506 2966