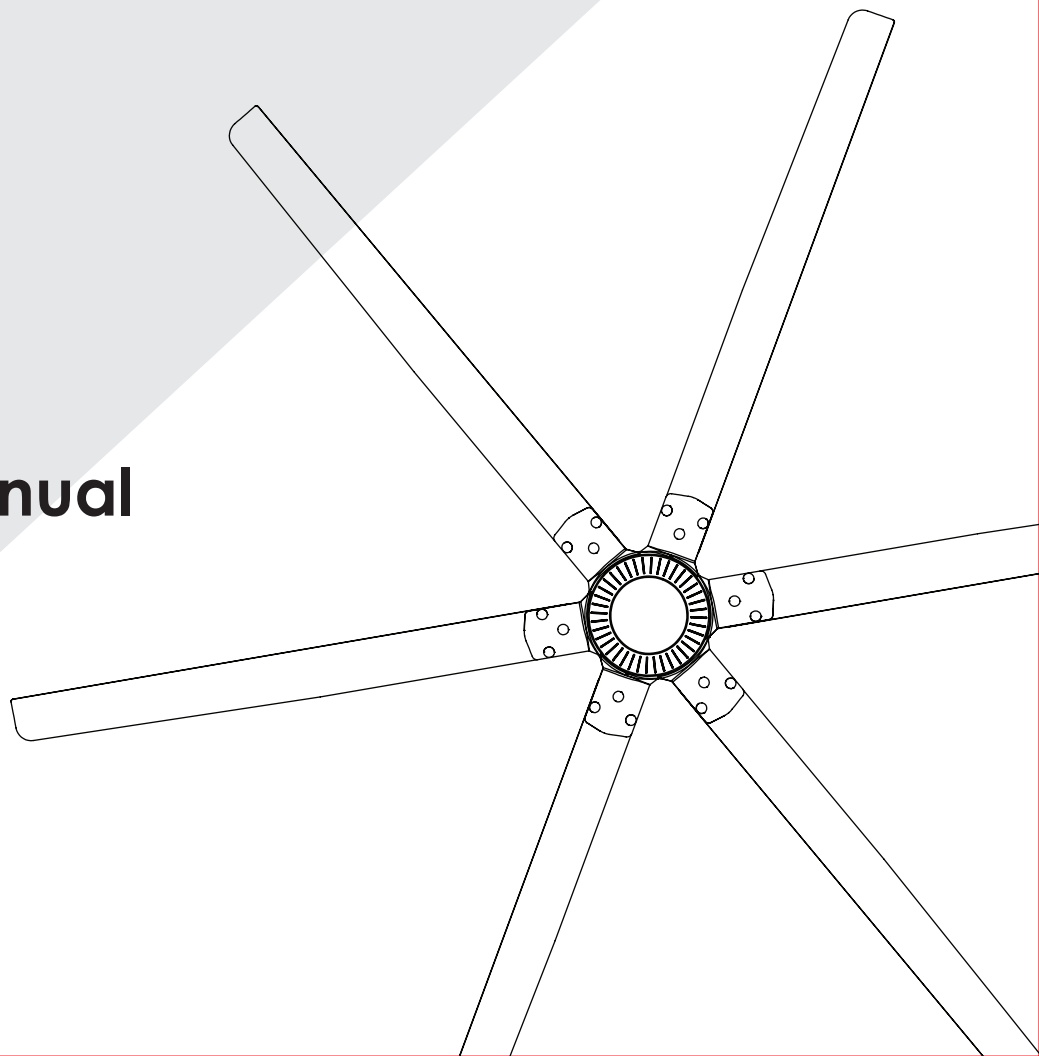


ALKOVA

SUR

80 / 102

Instruction **Manual**



Content

Item

Page No.

1. Safety Precaution	1
2. Parts & Accessories	5
3. Installation Instruction	7
4. Transmitter Function & Assembly	18
5. Power Supply Connection & Circuit Diagram	22
6. Maintenance	24
7. Technical Specifications	25
8. Customer Service Centre	27

Safety Precaution

WARNING

Installation and maintenance work shall only be performed by qualified persons, familiar with local code and regulation, and experienced with this type of appliance.

All field wiring must be installed in accordance with the national wiring regulation.

Ensure that the rated voltage of the unit corresponds to that of the name plate before commencing wiring work according to the wiring diagram.

The unit must be GROUNDED to prevent possible hazard due to insulation failure.

The earth wire is approximately 60mm longer than safety wire. This is to ensure at the event whereby the suspension system fails, the (L) and (N) wire will break leaving the fan remain earthed to prevent electrocution.

Tighten the blade firmly using a screw driver.

Blades that are detached from the unit during operation will cause serious injuries and property damages.

Safety Precaution

WARNING

This appliance is not intended for use by persons (including children) with reduced physical, sensory or mental capabilities, or lack of experience and knowledge, unless they have been given supervision or instruction concerning use of the appliance by a person responsible for their safety.

Children should be supervised to ensure that they do not play with the appliance.

Confirm that the power supply has been switched OFF before installing or servicing the unit. Ensure that the blade is fully static before doing any maintenance work.

Disconnect from the main power supply before servicing the unit.

DO NOT pull out the power cord when the power is ON. This may cause serious electrical shocks which may result in fire hazards.

STOP using the ceiling fan when any abnormality or failure occurs.

If unusual oscillating movement is observed, immediately stop using the ceiling fan and contact the manufacturer, its service agent or suitably qualified persons.

Safety Precaution

CAUTION

Please take note of the following important points when installing.

The fixing means for attachment to the ceiling such as hooks or other devices shall be fixed with a sufficient strength to withstand 4 times the weight of the ceiling fan.

The mounting of the suspension system shall be performed by the manufacturer, its service agent or suitably qualified persons.

The fan is to be installed so that the blades are more than 2.5m above the floor.

Safety cord should not be longer than the earthing conductor.

Should failure of the suspension system occur, the supporting of the fan must not rely on the earthing conductor. The earthing terminal in the fan assembly should be such that should any part of the suspension system fall off, the body of the fan assembly shall effectively earthed.

Ensure that the unit's panel is closed after service or installation.

Unsecured panels will cause the unit to operate noisily.

Safety Precaution

CAUTION

Before turning off the power supply set the remote controller's ON/OFF switch to the "OFF" position.

If this is not done, the unit's fans will start turning automatically when power resumes, posing a hazard to service personnel or the user.

Do not operate any heating apparatus too close to the ceiling fan unit or use in room where mineral oil, oil vapour or oil steam exist, this may cause plastic part to melt or deform as a result of excessive heat or chemical reaction.

Ensure the colour of wires of the outdoor unit and the terminal markings are same to the indoors respectively.

Do not use joined and twisted wires for incoming power supply.

Do not place any object in the path of the blades. Avoid raising objects or your arms near the ceiling fan.

The fan suspension system and blade screw tightening shall be examined yearly.

Replacement of parts of the safety suspension system device shall be performed by the manufacturer, its service agent or suitably qualified persons.

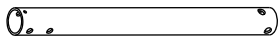
Parts & Accessories



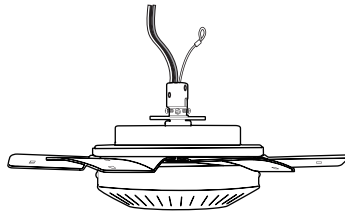
Canopy x 1
Canopy Cover x 1



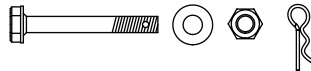
Coupling Cover x 1



12" Downrod x 1



Motor Assembly x 1



Hex Bolt, Washer, Nut
and Clevis Pin x 2



Pan Bolt, Flat Washer, Lock Washer,
Nut and Clevis Pin x 2



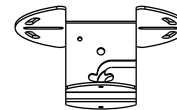
Expansion
Bolt with
Nut x 3



Expansion
Bolt with
Hook x 1



Wood Screw
and Flat
Washer x 4



Mounting Bracket x 1

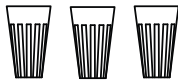
Parts & Accessories



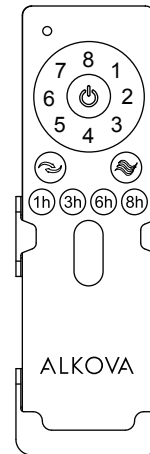
Blade x 6



Blade Screw, Rubber Washer
Flat Washer, and Nut x 19



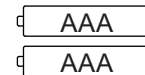
Wire Connector x 3



Transmitter
& Holder x 1



Wall Screw x 2



Battery x 2

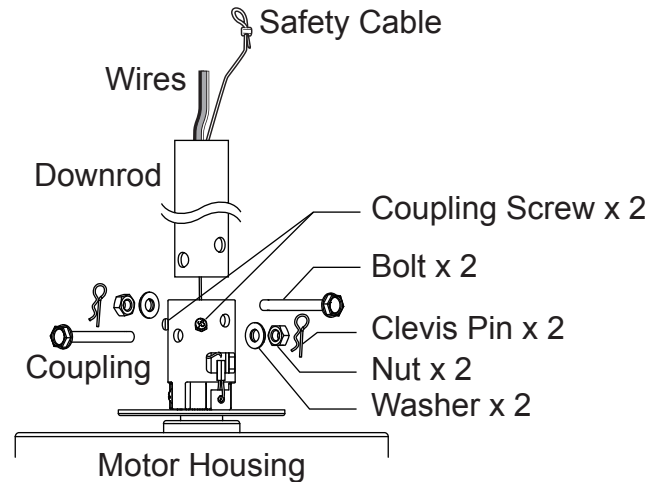
Installation Instruction

1

Loosen Suspension Screw Sets at top of Motor Assembly.

Route Safety Cable and Wires through Downrod. Fix the Downrod to the Coupling with Bolt, Washer, Nut and tighten them firmly then insert Clevis Pin.

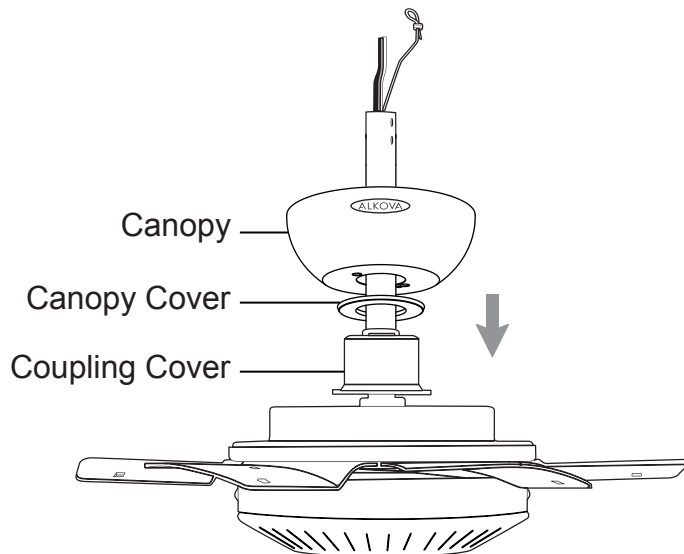
Clamp the Downrod with 2 Coupling Screw on Coupling to prevent shaking during operation.



Installation Instruction

2

Assemble the Coupling Cover, Canopy Cover, and the Canopy through Downrod.

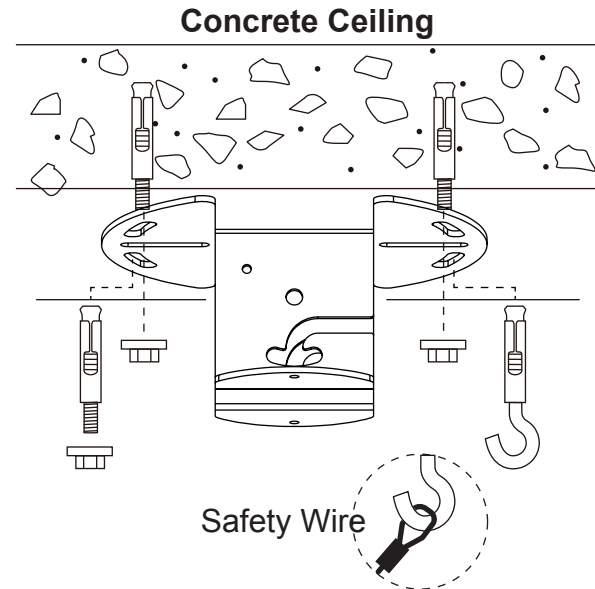


Installation Instruction

3A

Install the Mounting Bracket onto concrete ceiling with the Expansion Bolt with Nut and Expansion Bolt with Hook.

Important: Screw and Nut must be tightened till snug. Safety Wire must install according to instruction.

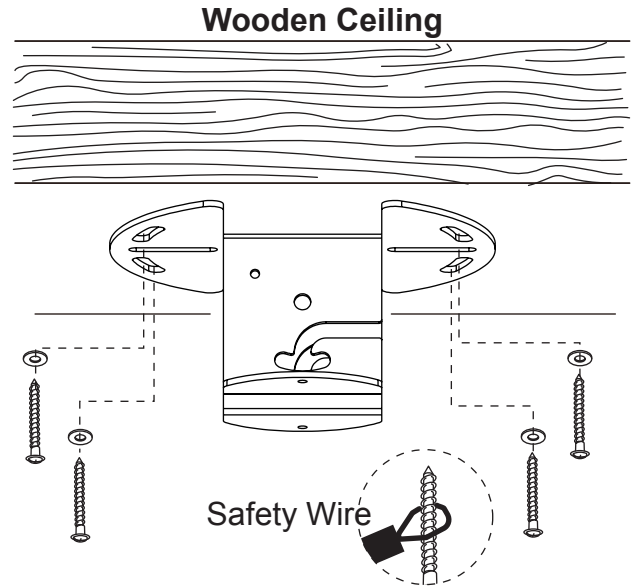


Installation Instruction

3B

Install the Mounting Bracket onto wooden ceiling with the Wood Screw and Flat Washer.

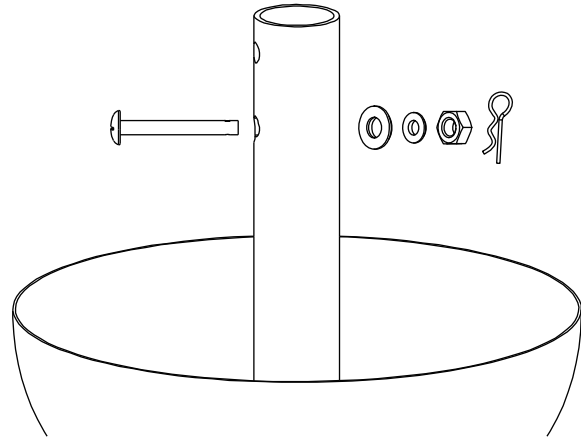
Important: Screw must be tightened till snug. Safety Wire must install according to instruction.



Installation Instruction

4

Install the Pan Bolt, Flat Washer, Lock Washer, Nut and Clevis Pin into the bottom hole on top of the Downrod.

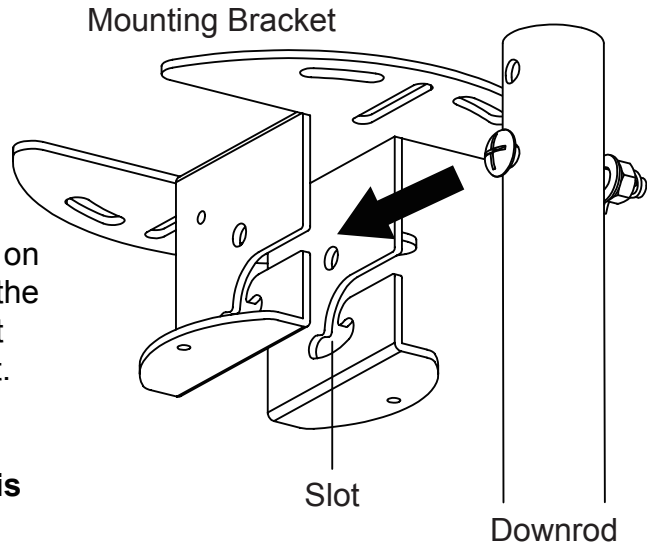


Installation Instruction

5

Raise the fan, align the Bolt on Downrod and slide through the groove on Mounting Bracket until it sits firmly into the slot.

Note: The Downrod could not be rotated if this step is done correctly.



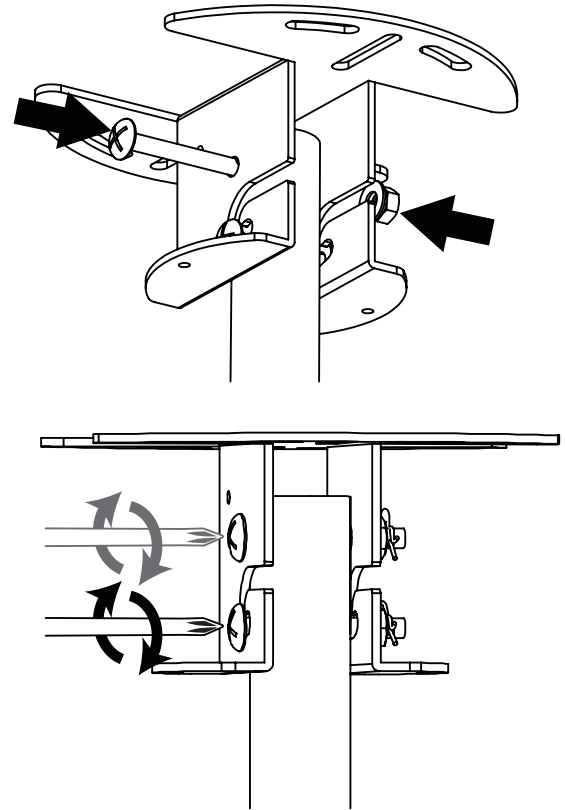
Installation Instruction

6

Insert the Bolt into the upper hole on Downrod and secure with Flat Washer, Lock Washer and Nut.

Tighten the 2 bolts.

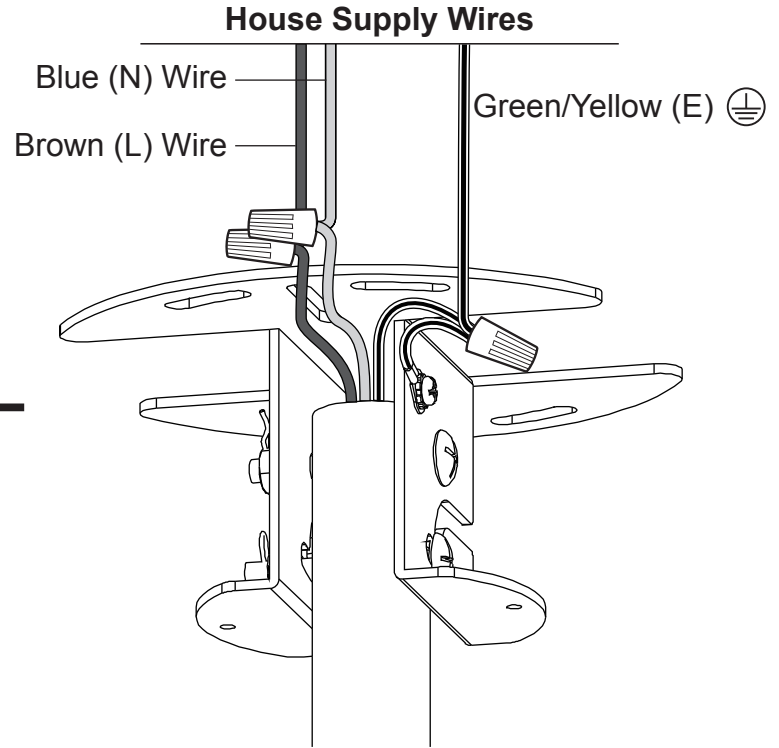
Important: Bolts must be tighten till snug.



Installation Instruction

7

Connect the wires from fan to house's supply wires.



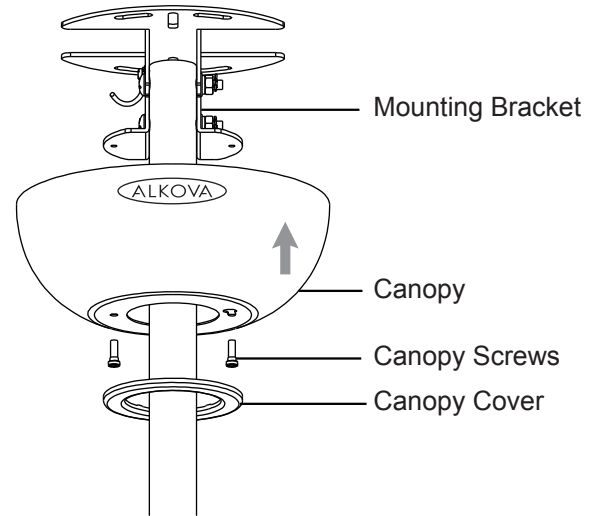
Installation Instruction

8

Loosen the 2 Canopy Screws on Mounting Bracket.

Place Canopy on the Mounting Bracket. Align the keyholes on Canopy with Mounting Bracket and secure with the 2 screws.

Place the Canopy Cover on Canopy. Align the keyholes and push in till snug.



Installation Instruction

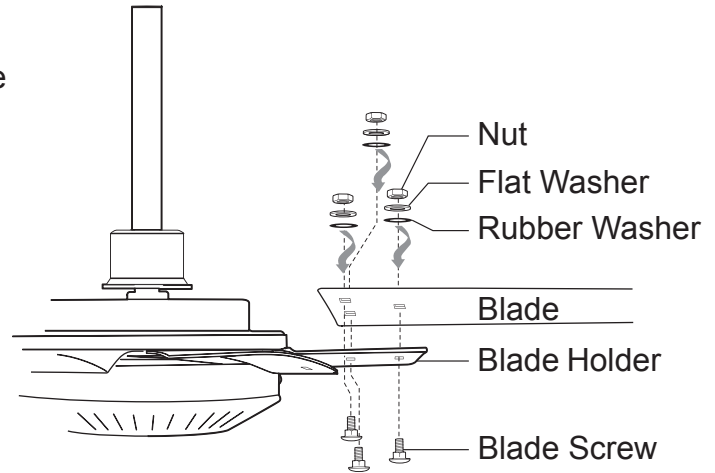
Warning: DO NOT use power tools to assemble the blades. Over-tightening the screws causes stress on blades which may result in crack and breakage.

9

Place the Blade on top of Blade Holder. Install Blade with the Screws provided.

Important: Blade Screws must be tighten till snug.

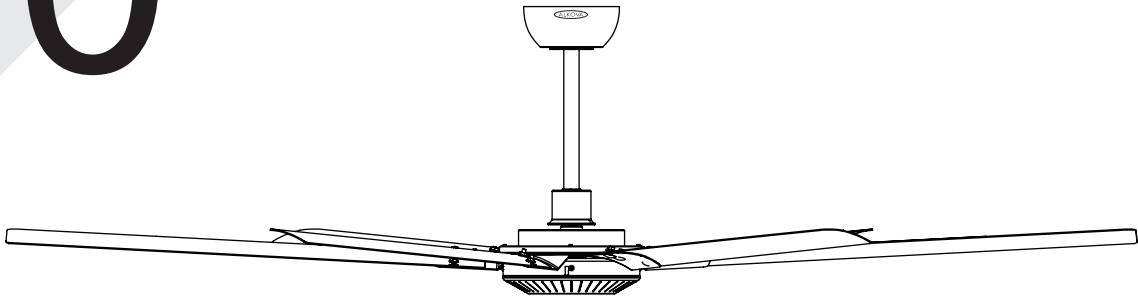
User must tighten Blade Screw yearly.



Installation Instruction

10

Below shows a complete installation diagram



Transmitter Learning Process

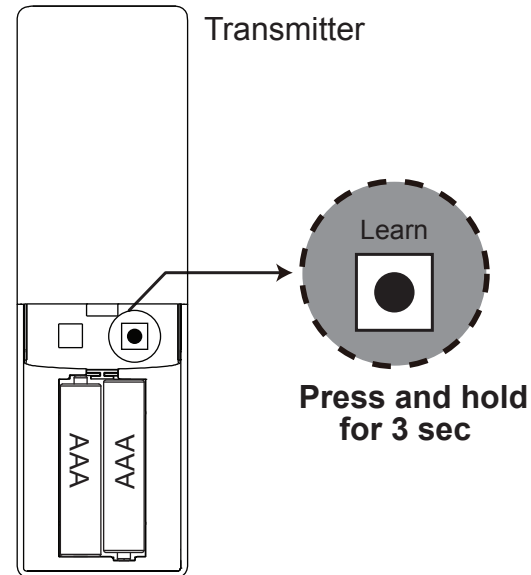
The receiver & transmitter is pre-programmed in factory. If you wish to control 2 or more fans using 1 transmitter, the below steps are required.

DO NOT PRESS ANY OTHER BUTTON DURING THIS PROCESS

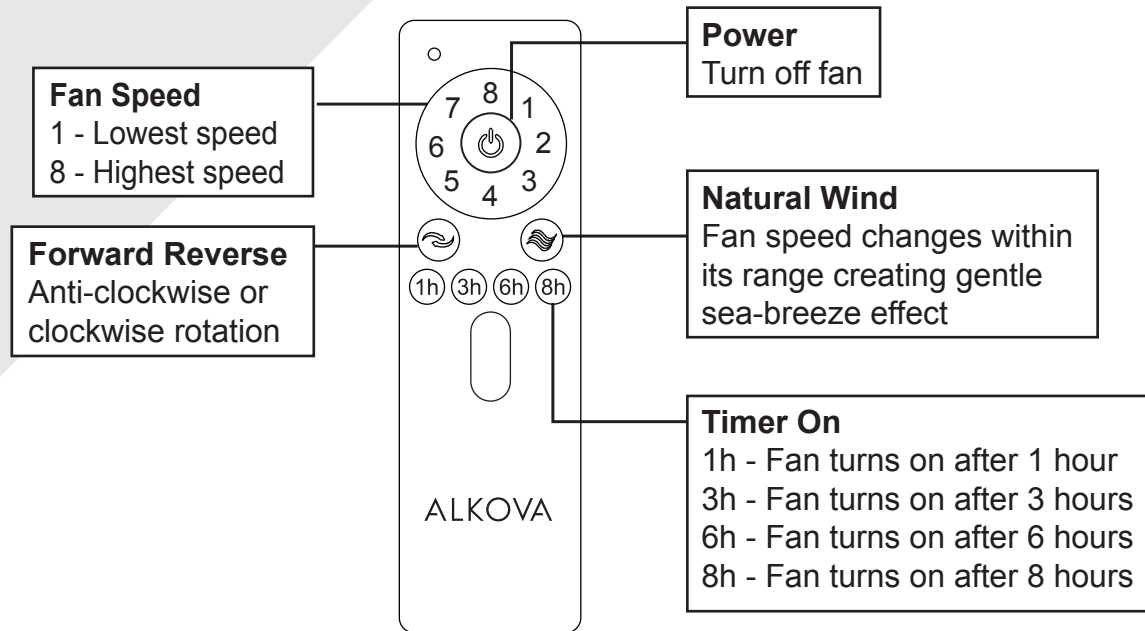
Turn on power to fan.

Within 30 sec, press and hold "LEARN" button for 3 sec.

Once receiver has detected the frequency, transmitter with "Beep Beep" twice. Programming process is completed and fan is ready to use.



Transmitter Function

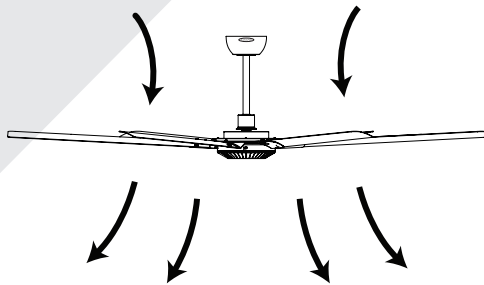


The transmitter & receiver is incorporated with last memory function. This function stores your last setting in memory and the next time you turn on the fan, fan will operate as the last setting.

Function of Forward & Reverse

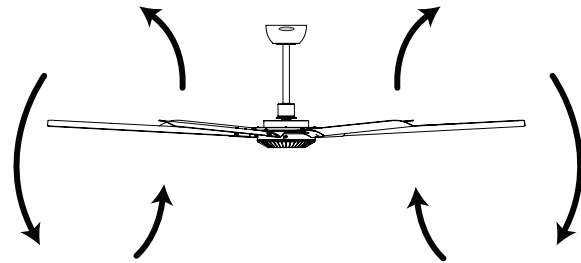
Fan must be turned on and rotating.

Press and hold button for 3 sec. Fan will slow down and then change direction (approx. 15 sec). When the fan is slowing down to change direction, the Fan Speed function is disabled until direction has been changed.



Forward

Fan rotates anti-clockwise blowing the air downwards creating the wind chill effect. **Suitable for hot weather condition.**

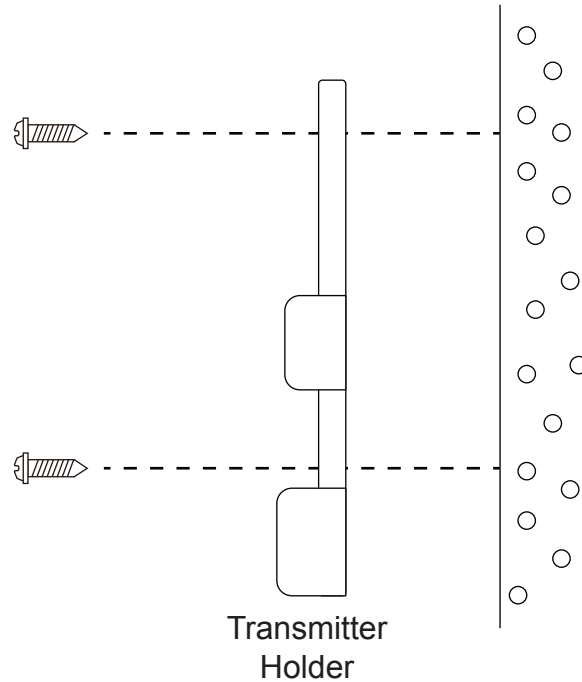


Reverse

Fan rotates clockwise drawing the air towards the ceiling circulating the warm air downwards. This function works best at low speed. **Suitable for air-conditioned condition.**

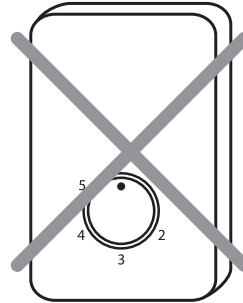
Transmitter Assembly

Install the Transmitter Holder to wall
with the 2 Screws provided.

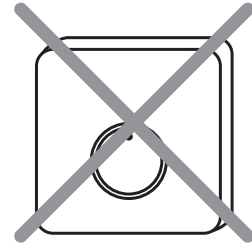


Power Supply Connection

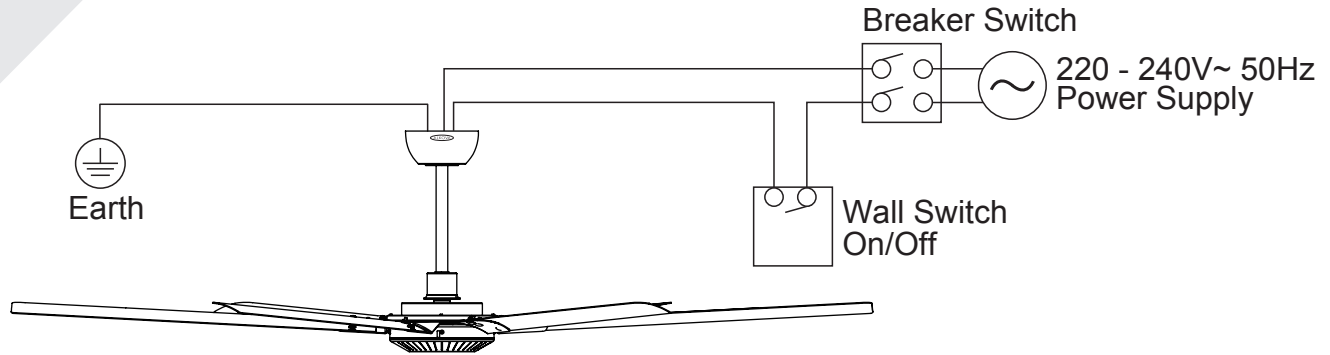
IMPORTANT : DO NOT CONNECT THIS REMOTE CONTROL CEILING FAN TO REGULATOR OR DIMMER SWITCH.



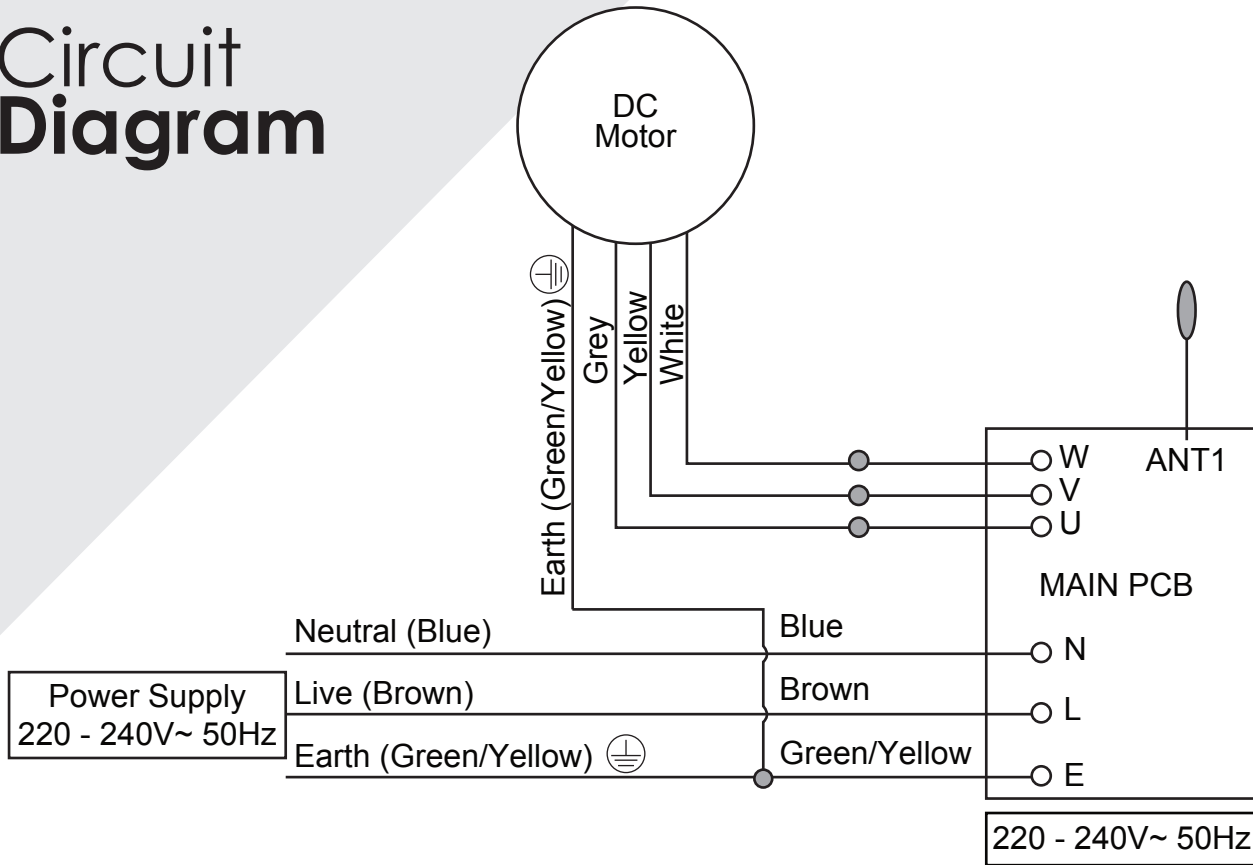
Regulator



Dimmer Switch



Circuit Diagram



Maintenance

Due to the fan's natural movement, connections may get loose after a period of usage. To ensure a proper and safety usage, it is highly recommended to inspect and tighten all connections every 6 months.

Cleaning

Cleaning your fan periodically will prolong its new appearance. Basic cleaning procedures are as follows :

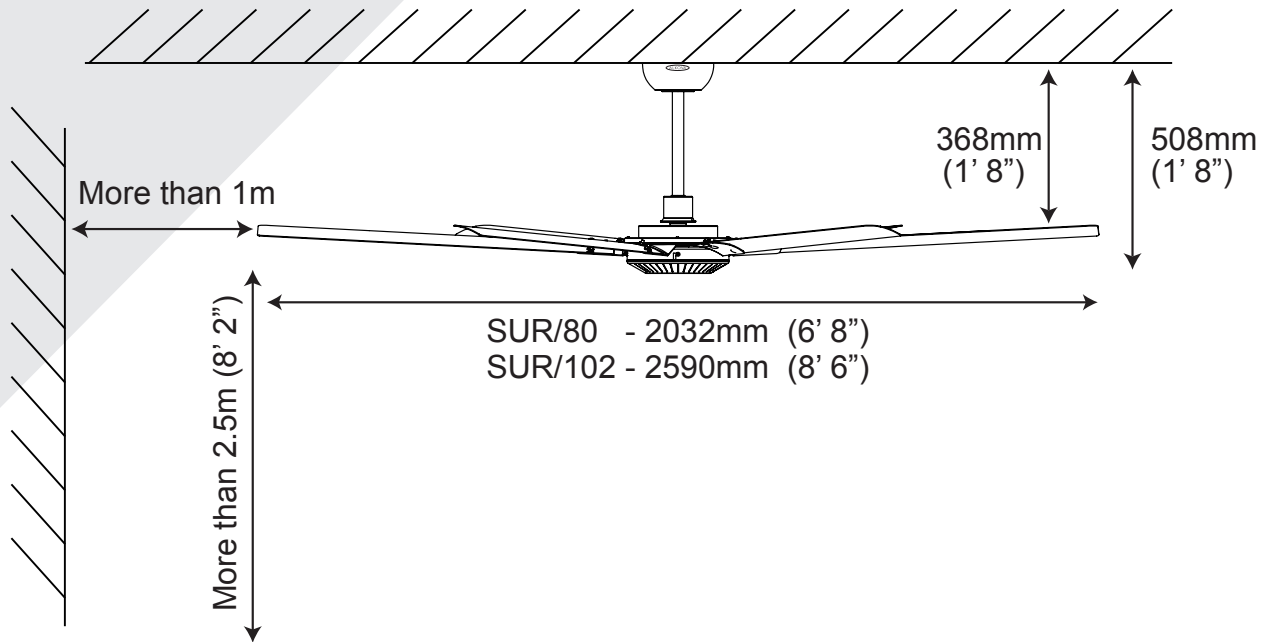
1. Use only lukewarm water. Do not use detergent, corrosive or acidic solution.
2. Damp the cloth lightly. Use only soft or lint-free cloth to clean the fan. Rough fabric will scratch the surface.
3. Do not bend the blades while cleaning. At the event where blades are bent or damage, order new set of blades from service centre or dealer shop.
4. There is no need to oil the fan.

Technical Specifications

MODEL	SUR / 80	SUR / 102
No. of Blades	6	
Fan Width	80"	102"
Motor RPM	20 - 161	20 - 107
Voltage	220 - 240V~ 50Hz	
Motor Wattage	4W - 95W	4W - 95W
Nett Weight	17.0 Kg	17.9 Kg

Information may subject to 5% variation.

Technical Specifications



Customer Service

If you need any technical assistance or faulty report, please contact our customer service centre at :

ALPHA HOME APPLIANCES SDN. BHD. (390258-H)

Head Office

6, Jalan Sungai Kayu Ara 32/37, Berjaya Park,
Section 32, 40460 Shah Alam, Selangor.

Tel : 03-5740 6666 Fax : 03-5740 8220

Website : www.alphamalaysia.com

www.alkovagallery.com

Email : info@alphamalaysia.com

Johor

71, Jalan Molek 3/10,

Taman Molek, 81100 Johor Bahru.

Tel : 07-353 4833 / 4933 Fax : 07-355 4233

Pahang

A131, TK1, Jalan Wang Ah Jang,

Taman Liza, 25100 Kuantan, Pahang.

Tel : 09-516 522 Fax : 09-513 9226

Melaka

19, 19-1 & 19-2, Jalan KSB 11,

Taman Kota Syahbandar, 75200 Melaka.

Tel : 06-292 6292 / 6293

Fax : 06-292 6296

Perak

16, Jalan Tasek Timur,

Taman Tasek Indra, 31400 Ipoh, Perak.

Tel : 05-545 2282 / 547 2282

Fax : 05-547 6282

Penang

28, Jalan Icon City, Icon City,

14000 Bukit Mentajam, Penang.

Tel : 04-506 2366 / 2066 / 2566

Fax : 04-506 2966