

ALKOVA

SUR G2

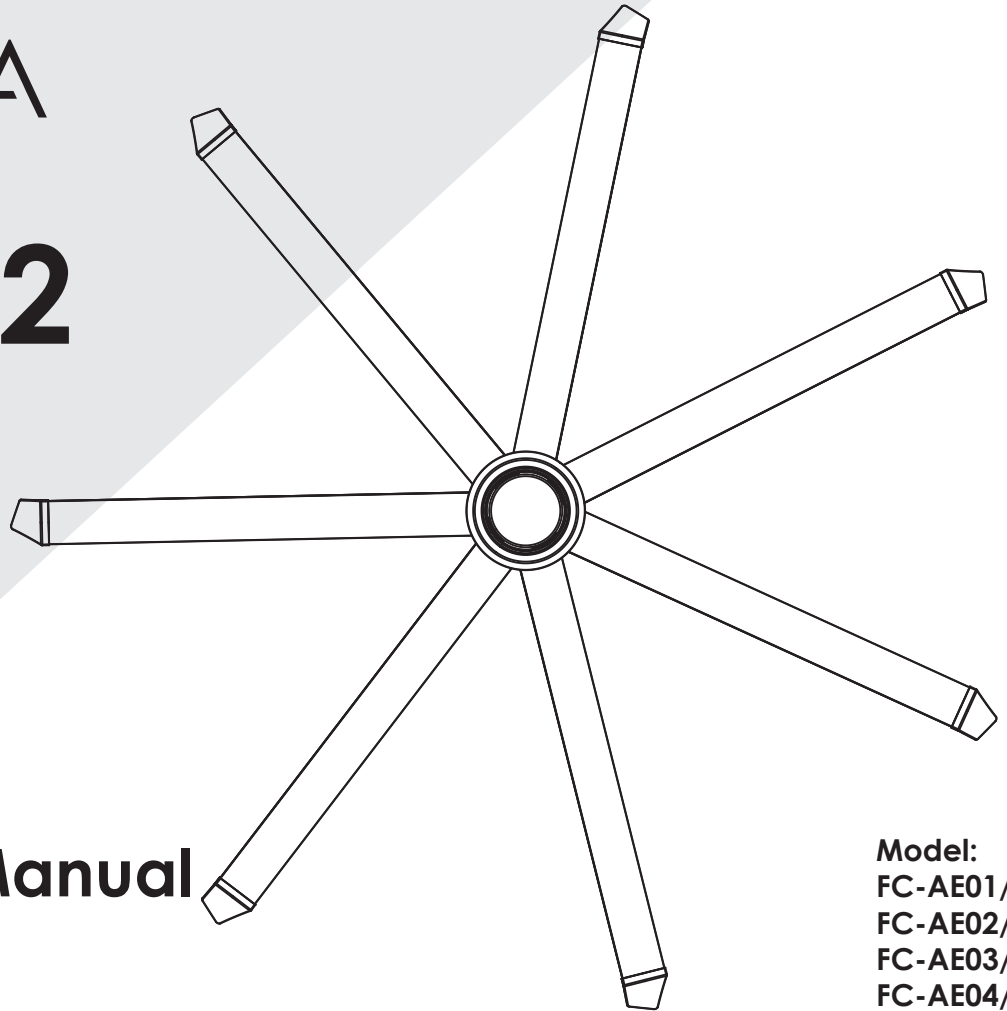
7B/108

7B/96

7B/84

7B/72

Instruction Manual



Model:
FC-AE01/B
FC-AE02/B
FC-AE03/B
FC-AE04/B

Content

Item	Page No.
1. Safety Precaution	1
2. Parts & Accessories	6
3. Installation Instruction	8
4. Transmitter Function & Assembly	18
5. Power Supply Connection & Circuit Diagram	22
6. Maintenance	24
7. Technical Specifications	25
8. Customer Service Centre	27

Safety Precaution

WARNING

Installation and maintenance work shall only be performed by qualified persons, familiar with local code and regulation, and experienced with this type of appliance.

Primary suspension system length more than 300 mm of modified (non-standard length rod) shall be supplied by the same manufacturer, with similar material, complete with safety wire rope, marking and installation instruction.

All field wiring must be installed in accordance with the national wiring regulation.

Means for disconnection from the supply mains having a contact separation in all poles must be incorporated in the fixed wiring in accordance with the wiring rules.

Ensure that the rated voltage of the unit corresponds to that of the name plate before commencing wiring work according to the wiring diagram.

Safety Precaution

WARNING

Tighten the blade firmly using a screw driver.

Blades that are detached from the unit during operation will cause serious injuries and property damages.

This appliance is not intended for use by persons (including children) with reduced physical, sensory or mental capabilities, or lack of experience and knowledge, unless they have been given supervision or instruction concerning use of the appliance by a person responsible for their safety.

Children should be supervised to ensure that they do not play with the appliances.

Confirm that the power supply has been switched OFF before installing or servicing the unit.

Ensure that the blade is fully static before doing any maintenance work.

Disconnect from the main power supply before servicing the unit.

STOP using the ceiling fan when any abnormality or failure occurs.

If unusual oscillating movement is observed, immediately stop using the ceiling fan and contact the manufacturer, its service agent or suitably qualified persons.

CAUTION

Please take note of the following important points when installing.

The fixing means for attachment to the ceiling such as hooks or other devices shall be fixed with a sufficient strength to withstand 10 times the weight of the ceiling fan.

Safety Precaution

CAUTION

The mounting of the suspension system shall be performed by the manufacturer, its service agent or suitably qualified persons.

The fan is to be installed so that the blades are more than 2.5m above the floor.

Safety cord should not be longer than the earthing conductor.

Should failure of the suspension system occur, the supporting of the fan must not rely on the earthing conductor. The earthing terminal in the fan assembly should be such that should any part of the suspension system fall off, the body of the fan assembly shall effectively earthed.

Ensure that the unit's panel is closed after service or installation.

Unsecured panels will cause the unit to operate noisily.

Sharp edges and coil surfaces are potential locations which may cause injury hazards. Avoid from being in contact with these places.

Before turning off the power supply set the remote controller's ON/OFF switch to the "OFF" position.

If this is not done, the unit's fans will start turning automatically when power resumes, posing a hazard to service personnel or the user.

Safety Precaution

Do not operate any heating apparatus too close to the ceiling fan unit or use in room where mineral oil, oil vapour or oil steam exist, this may cause plastic part to melt or deform as a result of excessive heat or chemical reaction.

Avoid the ceiling fan unit from exposing to direct sunlight, this may cause degradation of plastic material as a result of excessive heat and UV radiation.

Ensure the colour of wires of the outdoor unit and the terminal markings are same to the indoors respectively.

Do not use joined and twisted wires for incoming power supply.

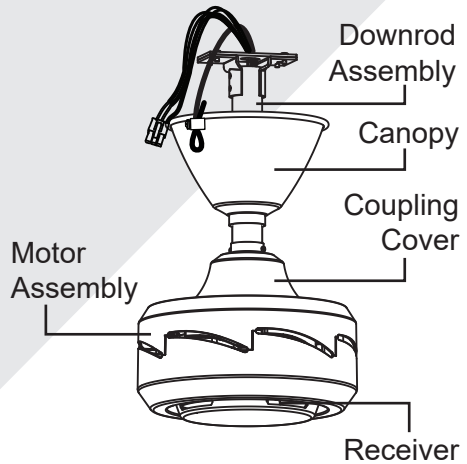
Do not place any object in the path of the blades. Avoid raising objects or your arms near the ceiling fan.

The fan suspension system and blade screw tightening shall be examined yearly.

Replacement of parts of the safety suspension system device shall be performed by the manufacturer, its service agent or suitably qualified persons.

Torque value for screw/bolts for securing primary suspension system for motor is 2Nm.

Parts & Accessories

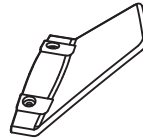


Motor Assembly
with Receiver, Coupling Cover,
Downrod Assembly & Canopy

**Receiver is Pre-install at Motor Down Cover*



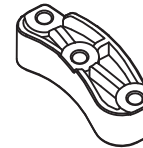
Fan Blade x 7



Winglet x 7



Winglet
Screw x 15

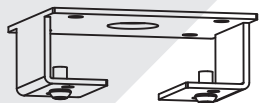


Blade Screw
Support x 7

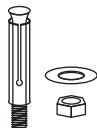


Blade
Screw x 22

Parts & Accessories



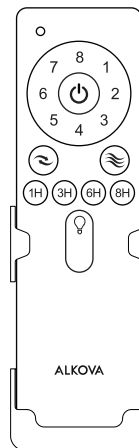
Mounting
Bracket x 1



Expansion
Screw x 4



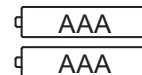
Expansion
'J' x 1



Transmitter
& Holder x 1



Wall Screw x 2

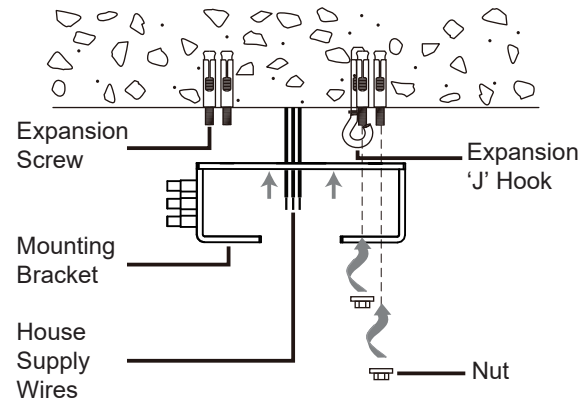


Battery x 2

Installation Instruction

1

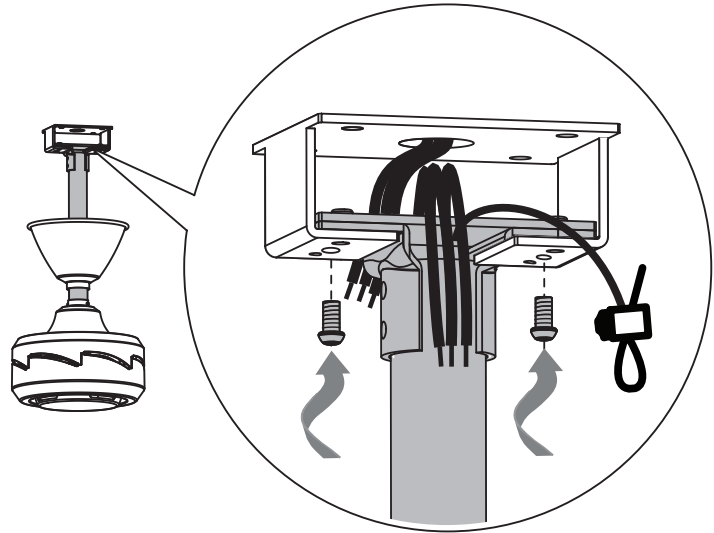
- a. Drill the holes for 4 Expansion Screws and 1 Expansion 'J' Hook provided to the concrete ceiling.
- b. Align the slotted holes in the Mounting Bracket with the Expansion Screws and secure with the washer and nuts.



Installation Instruction

2

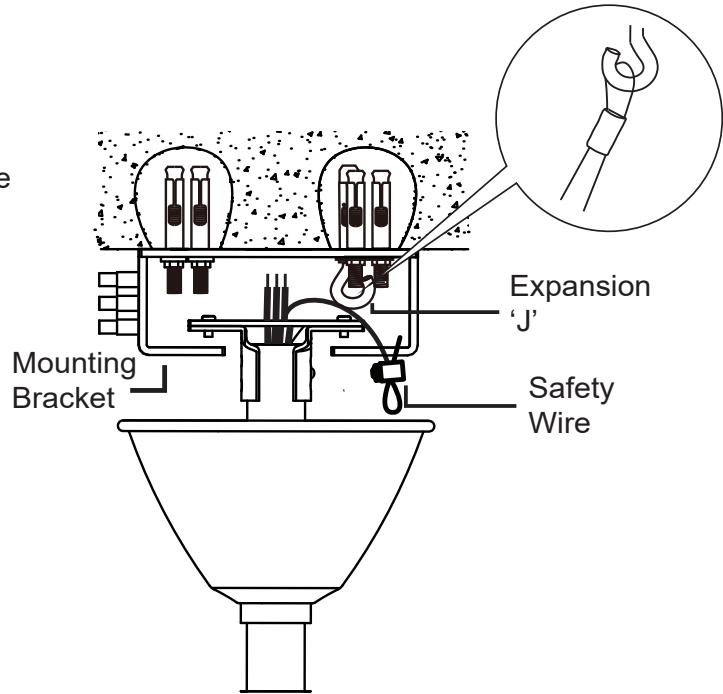
- a. Raise the fan and place into the Mounting Bracket.
- b. Align the screw holes with the Mounting Bracket.
- c. Screw the fan to the Mounting Bracket using screws provided.



Installation Instruction

3

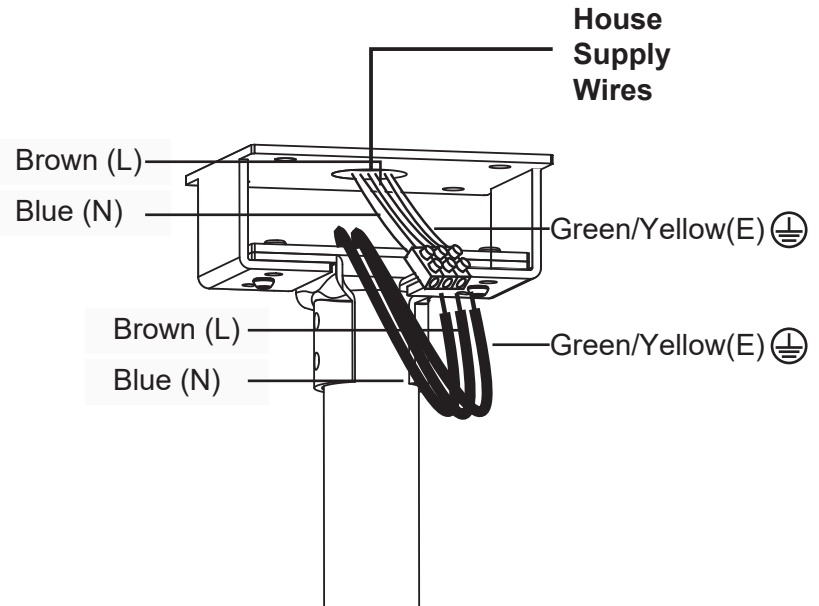
Hook the Safety Wire onto the expansion 'J' hook.



Installation Instruction

4

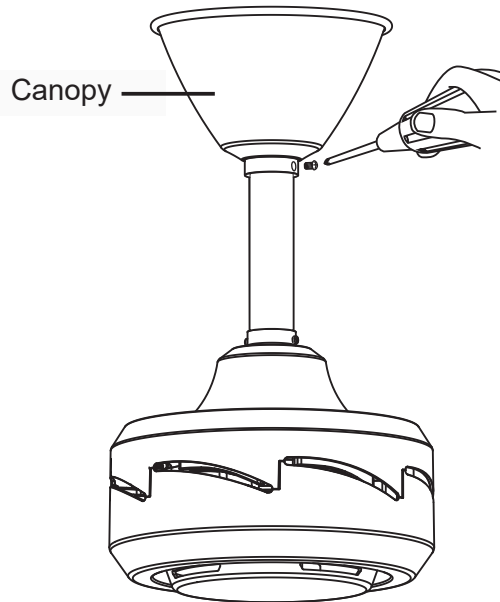
- a. Connect the wires from the fan to House's Supply Wire.
- b. Connect Earth Wire to House Supply Earth Terminal.



Installation Instruction

5

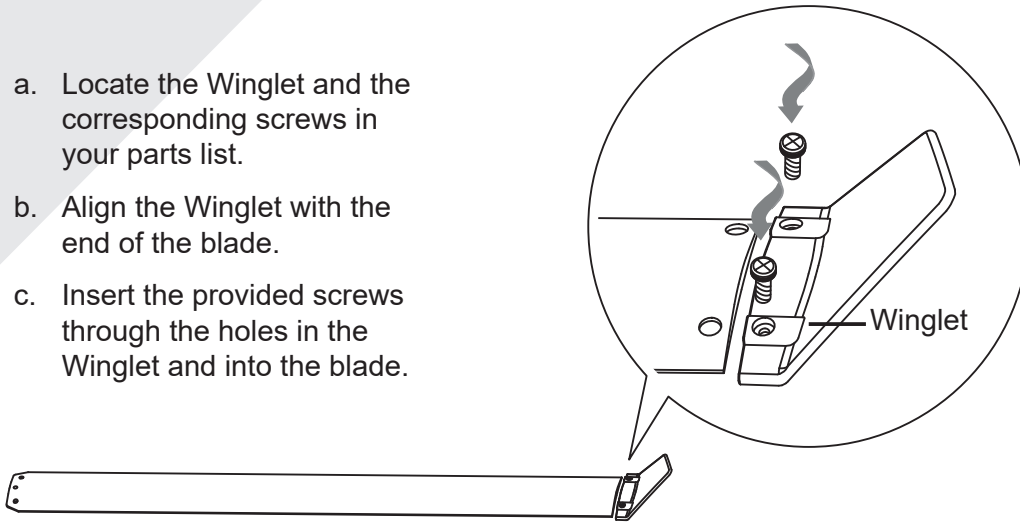
- a. Slide the canopy up towards the ceiling, covering the mounting bracket and wiring.
- b. Align the screw holes on the canopy with motor rod.
- c. Insert the provided screws into the aligned holes on the canopy and motor rod.



Installation Instruction

6

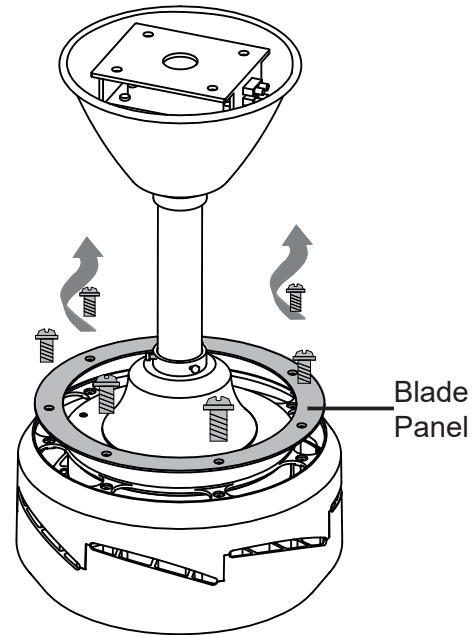
- a. Locate the Winglet and the corresponding screws in your parts list.
- b. Align the Winglet with the end of the blade.
- c. Insert the provided screws through the holes in the Winglet and into the blade.



Installation Instruction

7

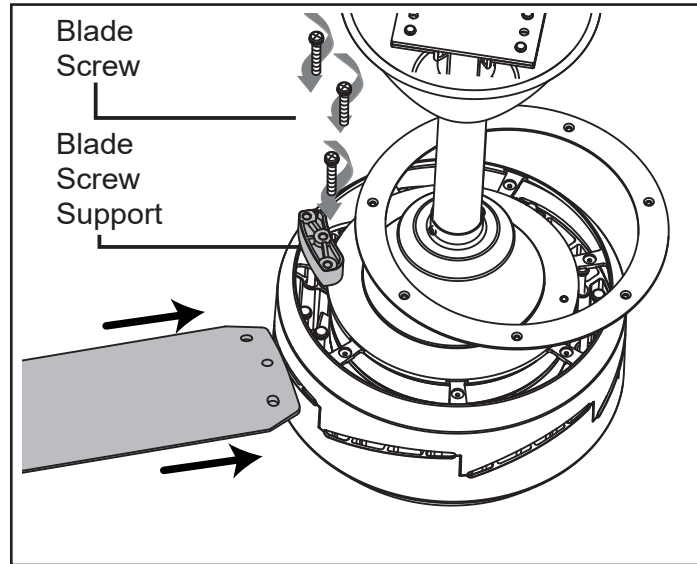
Unscrew the Blade Panel from the motor assembly.



Installation Instruction

8

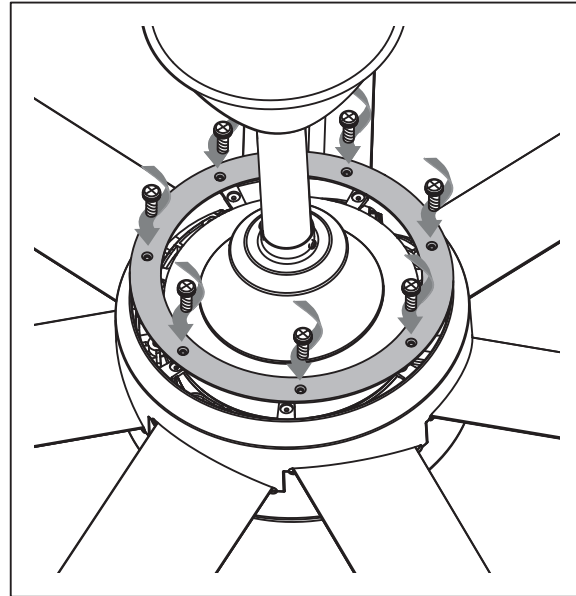
- a. Align the blade with the holes on the motor assembly.
- b. Insert the provided screws through the holes in the blade and into motor assembly.
- c. Align the blade support with the corresponding holes of the blade and the motor assembly.
- d. Insert the provided screws through the holes in the blade support , the blade, and into the motor.



Installation Instruction

9

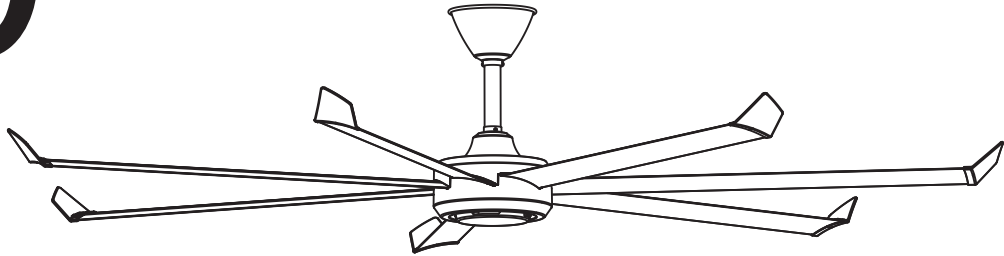
Screw back the Blade Panel.



Installation Instruction

10

Below shows a complete installation diagram



Transmitter Learning Process

The receiver & transmitter is pre-programmed in factory. If you wish to control 2 or more fans using 1 transmitter, the below steps are required.

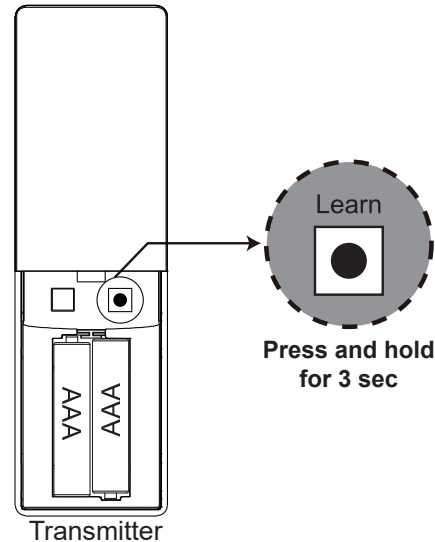
DO NOT PRESS ANY OTHER BUTTON DURING THIS PROCESS

Turn on power to fan.

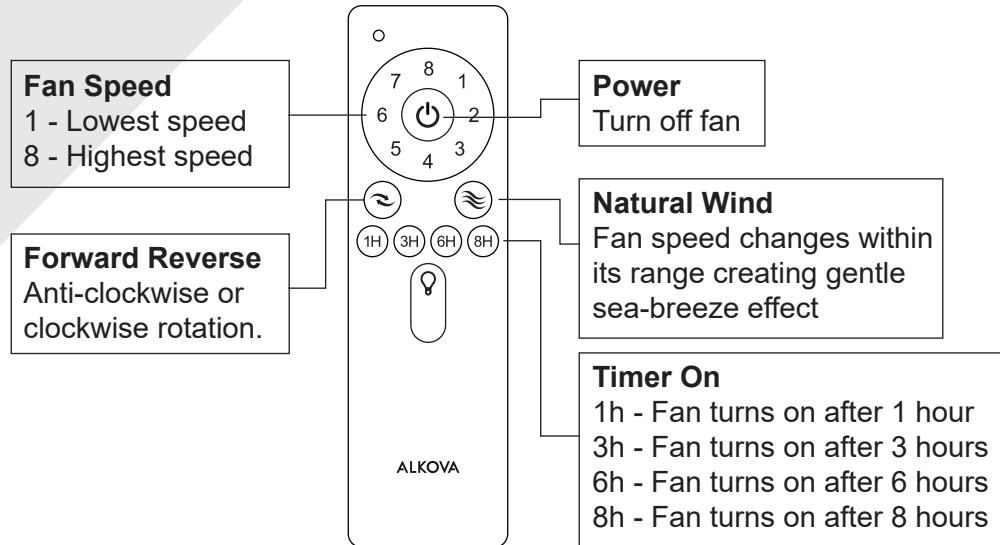
Within 30 sec, press and hold “LEARN” button for 3 sec.

Once receiver has detected the frequency, transmitter will “Beep Beep” twice.

Programming process is completed and fan is ready to use.



Transmitter Function

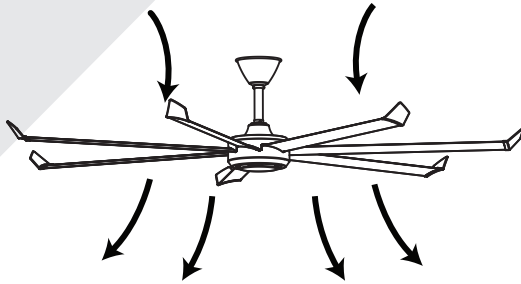


The transmitter & receiver is incorporated with last memory function. This function stores your last setting in memory and the next time you turn on the fan, fan will operate as the last setting.

Function of Forward & Reverse

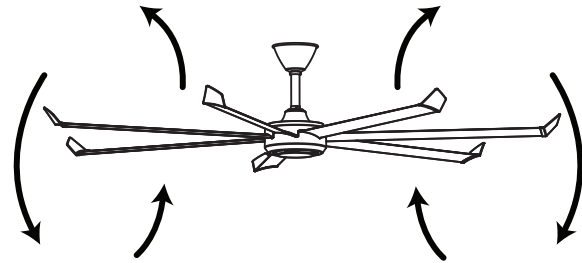
Fan must be turned on and rotating.

Press and hold Forward/Reverse button for 3 sec. Fan will slow down and then change direction (approx. 15 sec). When the fan is slowing down to change direction, the fan Speed function is disabled until direction has been changed.



Forward

Fan rotates anti-clockwise blowing the air downwards creating the wind chill effect. **Suitable for hot weather condition.**

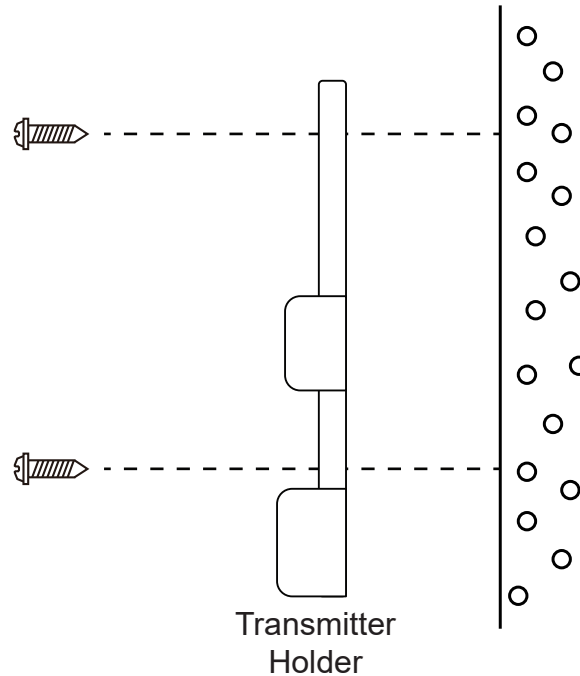


Reverse

Fan rotates clockwise drawing the air towards the ceiling circulating the warm air downwards. This function works best at low speed. **Suitable for air-conditioned condition.**

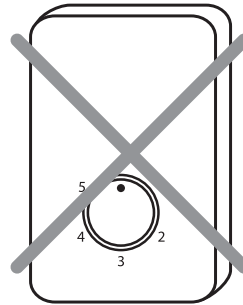
Transmitter Assembly

Install the Transmitter Holder to wall
with the 2 Wall Screws provided.

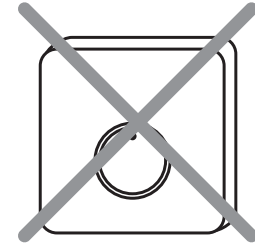


Power Supply Connection

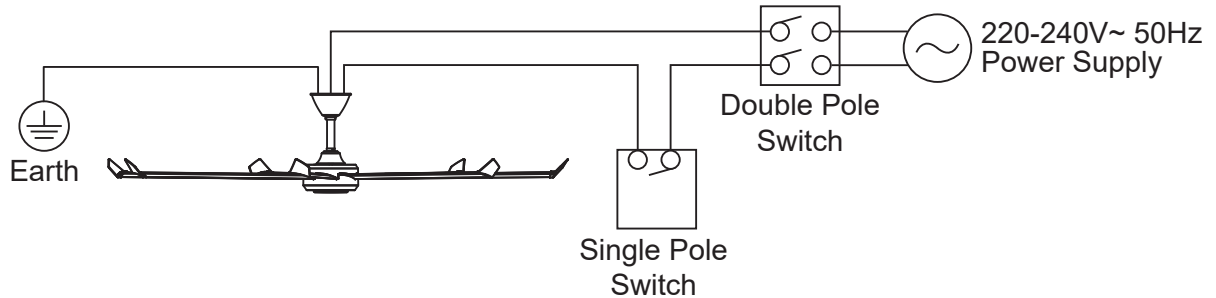
IMPORTANT : DO NOT CONNECT THIS REMOTE CONTROL CEILING FAN TO REGULATOR OR DIMMER SWITCH.



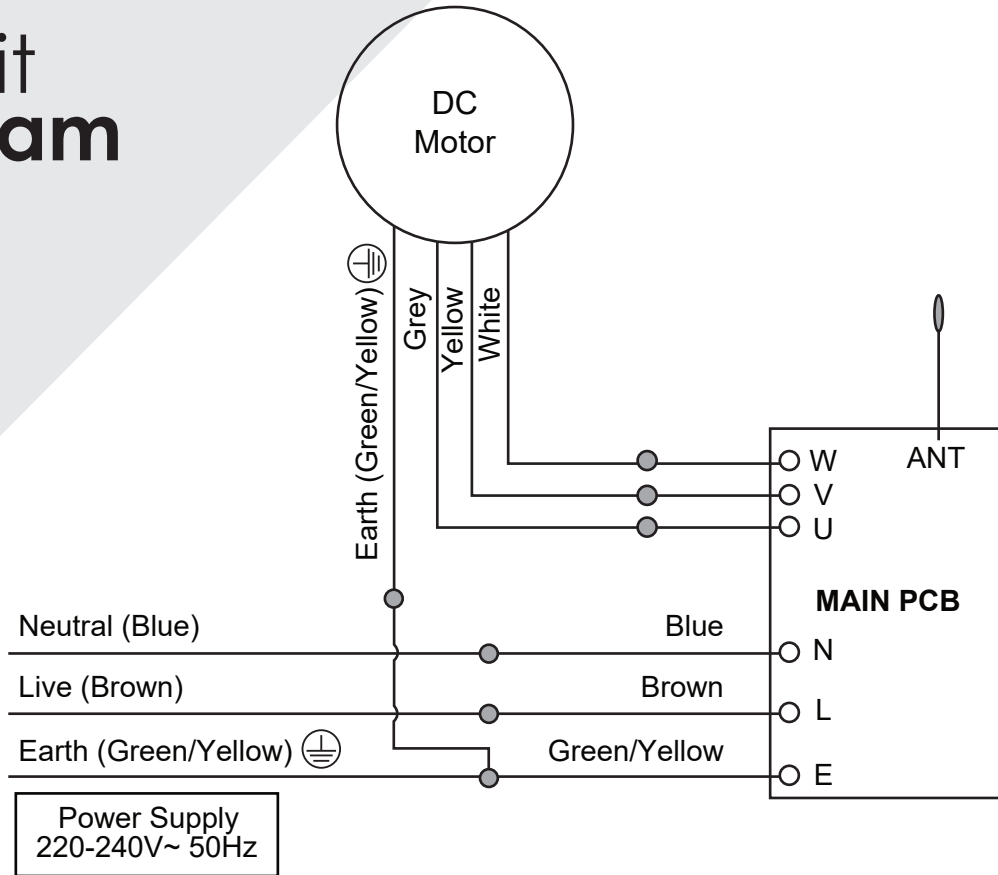
Regulator



Dimmer Switch



Circuit Diagram



Maintenance

Due to the fan's natural movement, connections may get loose after a period of usage. To ensure a proper and safety usage, it is highly recommended to inspect and tighten all connections every 6 months.

Cleaning

Cleaning your fan periodically will prolong its new appearance. Basic cleaning procedures are as follows :

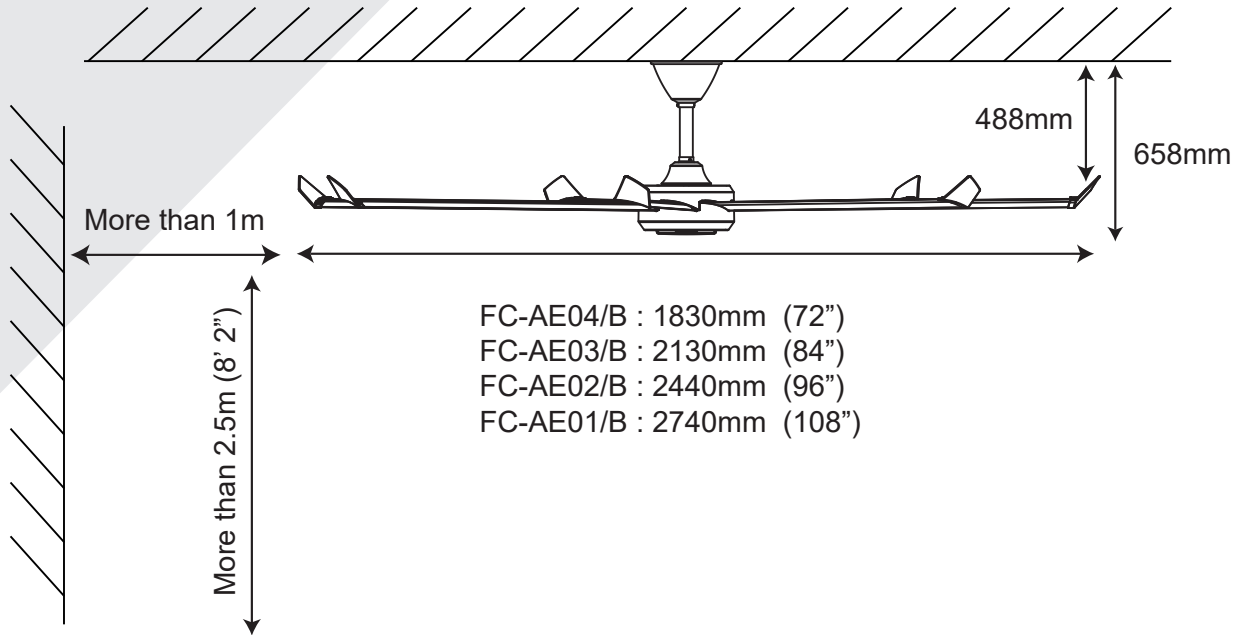
1. Use only lukewarm water. Do not use detergent, corrosive or acidic solution.
2. Damp the cloth lightly. Use only soft or lint-free cloth to clean the fan. Rough fabric will scratch the surface.
3. Do not bend the blades while cleaning. At the event where blades are bent or damage, order new set of blades from service centre or dealer shop.
4. There is no need to oil the fan.

Technical Specifications

MODEL	FC-AE01/B	FC-AE02/B	FC-AE03/B	FC-AE04/B
Alt. Name	SUR G2-7B/108	SUR G2-7B/96	SUR G2-7B/84	SUR G2-7B/72
No. of Blades	7			
Fan Width	2740mm (108")	2440mm (96")	2130mm (84")	1830mm (72")
Motor RPM	39-80	49-102	60-130	80-170
Voltage	220-240V~ 50Hz			
Motor Wattage	12W - 120W	12W - 120W	12W - 100W	12W - 100W
Nett Weight	17.0kg	16.3kg	15.6kg	14.8kg

Information may subject to 5% variation.

Technical Specifications



Customer Service

If you need any technical assistance or faulty report, please contact our customer service centre at :

ALPHA HOME APPLIANCES SDN. BHD. (390258-H)

Head Office

6, Jalan Sungai Kayu Ara 32/37, Berjaya Park,
Section 32, 40460 Shah Alam, Selangor.

Tel : 03-5740 6666 Fax : 03-5740 8220

Website : www.alphamalaysia.com
www.alkovagallery.com

Email : info@alphamalaysia.com

Johor

71, Jalan Molek 3/10,

Taman Molek, 81100 Johor Bahru.

Tel : 07-353 4833 / 4933 Fax : 07-355 4233

Pahang

A131, TK1, Jalan Wang Ah Jang,

Taman Liza, 25100 Kuantan, Pahang.

Tel : 09-516 522 Fax : 09-513 9226

Melaka

19, 19-1 & 19-2, Jalan KSB 11,
Taman Kota Syahbandar, 75200 Melaka.

Tel : 06-292 6292 / 6293

Fax : 06-292 6296

Perak

11, Laluan Tasek Timur 5, Pusat Perdagangan
Tasek Indra, 31400 Ipoh, Perak.

Tel : 05-545 2282 / 547 2282

Fax : 05-547 6282

Penang

28, Jalan Icon City, Icon City,
14000 Bukit Mentajam, Penang.

Tel : 04-506 2366 / 2066 / 2566

Fax : 04-506 2966

