

# Vannus

## INSTRUCTION MANUAL

MODEL  
**FF-AD01/C**  
**FF-AD02/C**

ALT. MODEL  
**TORA-7B/72**  
**TORA-7B/62**

Version: 2025.V1

**CEILING FAN**

# Table of Contents

Item	Page No.
1. Safety Precaution .....	1 - 2
2. Parts & Accessories .....	3
3. Installation Instruction .....	4 - 7
4. Power Supply Connection .....	7 - 8
5. Circuit Diagram .....	8
6. Transmitter Learning Process .....	9
7. Transmitter Function .....	10
8. Maintenance .....	11
9. Technical Specifications .....	11 - 12
10. Customer Service .....	12

## Safety Precaution

### Warning

Installation and maintenance work shall only be performed by qualified persons familiar with local code and regulation, and experienced with this type of appliance.

Primary suspension system length more than 300mm of modified (non-standard length rod) shall be supplied by the same manufacturer, with similar material, complete with safety wire rope, marking and installation instruction.

All field wiring must be installed in accordance with the national wiring regulation.

Means for disconnection from the supply mains having a contact separation in all poles must be incorporated in the fixed wiring in accordance with the wiring rules.

Before commencing wiring work, verify that the unit's rated voltage matches the nameplate specifications, and follow the wiring diagram.

**The unit must be grounded to prevent a possible hazard due to insulation failure.** The earth wire is approximately **60mm** longer than the safety wire. This is to ensure that at the event, whereby the suspension system fails, the live (L) neutral and (N) wires will break, leaving the fan remain earthed to prevent electrocution.

#### **Tighten the blade firmly using a screwdriver.**

Blades that are detached from the unit during operation will cause serious injuries and property damage.

This appliance is not intended for use by persons (including children) with reduced physical, sensory or mental capabilities, or lack of experience and knowledge, unless they have been given supervision or instruction concerning use of the appliance by a person responsible for their safety.

Children should be supervised to ensure that they do not play with the appliances.

Confirm that the power supply has been switched **OFF** before installing or servicing the unit.

Ensure that the blade is fully static before doing any maintenance work.

## Safety Precaution

Disconnect from the main power supply before servicing the unit.

### STOP using the ceiling fan when any abnormality or failure occurs.

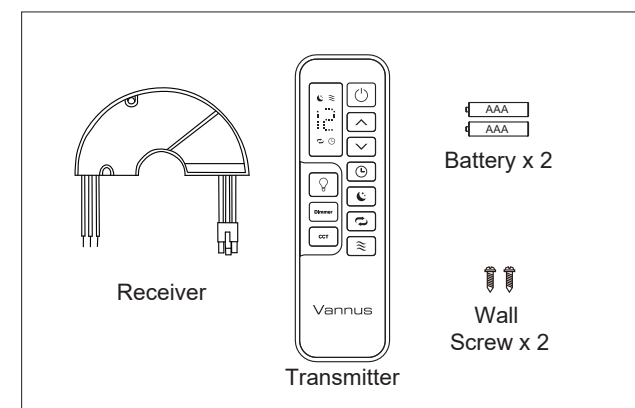
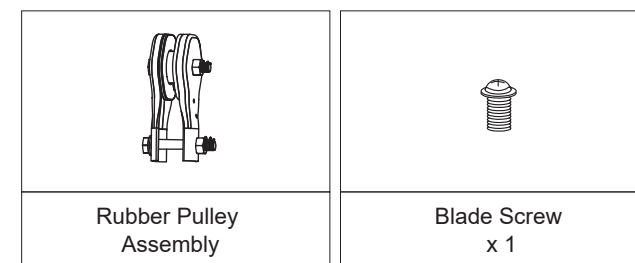
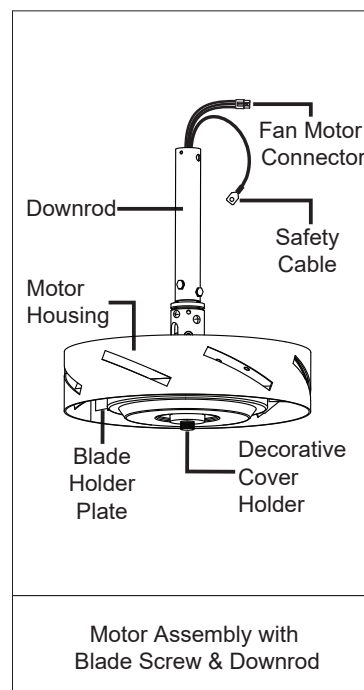
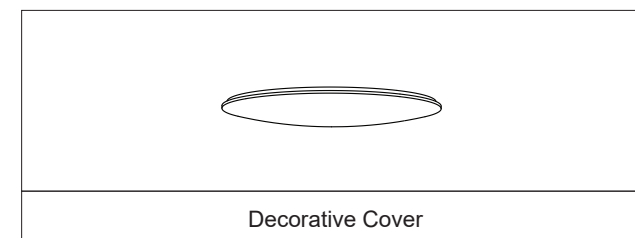
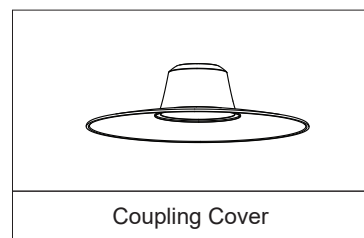
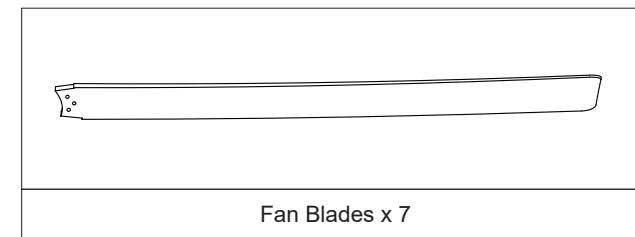
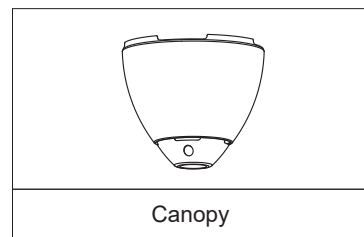
If unusual oscillating movement is observed, immediately stop using the ceiling fan and contact the manufacturer, its service agent or suitably qualified persons.

### CAUTION

#### Please take note of the following important points when installing:

- The fixing means for attachment to the ceiling, such as hooks or other devices, shall be fixed with a sufficient strength to withstand 10 times the weight of the ceiling fan.
- The mounting of the suspension system shall be performed by the manufacturer, its service agent or suitably qualified persons.
- The fan is to be installed so that the blades are more than **2.5m** above the floor.
- **The safety cord should not be longer than the earthing conductor.**  
If the suspension system fails, the fan's support must not depend on the earthing conductor. The earthing terminal within the fan assembly must be designed so that, even if any part of the suspension system detaches, the fan body remains effectively earthed.
- **Ensure that the unit's panel is closed after service or installation.**  
Unsecured panels will cause the unit to operate noisily.
- **Sharp edges and coil surfaces are potential locations that may cause injury hazards.**  
Avoid being in contact with these places.
- **Before turning off the power supply, set the remote controller's ON/OFF switch to the "OFF" position.**  
Failure to do so may cause the fan to start automatically when power is restored, creating a safety hazard for service personnel and users.
- Keep the ceiling fan unit out of direct sunlight to prevent plastic components from degrading due to excessive heat and UV radiation.
- Ensure that the wire colours and terminal markings of the outdoor unit match those of the indoor unit.
- Do not use joined and twisted wires for the incoming power supply.
- Do not place any object in the path of the blades. Avoid raising objects or your arms near the ceiling fan.
- The fan suspension system and blade screw tightening shall be examined yearly.
- Replacement of parts of the safety suspension system device shall be performed by the manufacturer, its service agent or suitably qualified persons.
- The torque value for screw/bolts for securing the primary suspension system for fan motor is **2 Nm**.

## Parts & Accessories

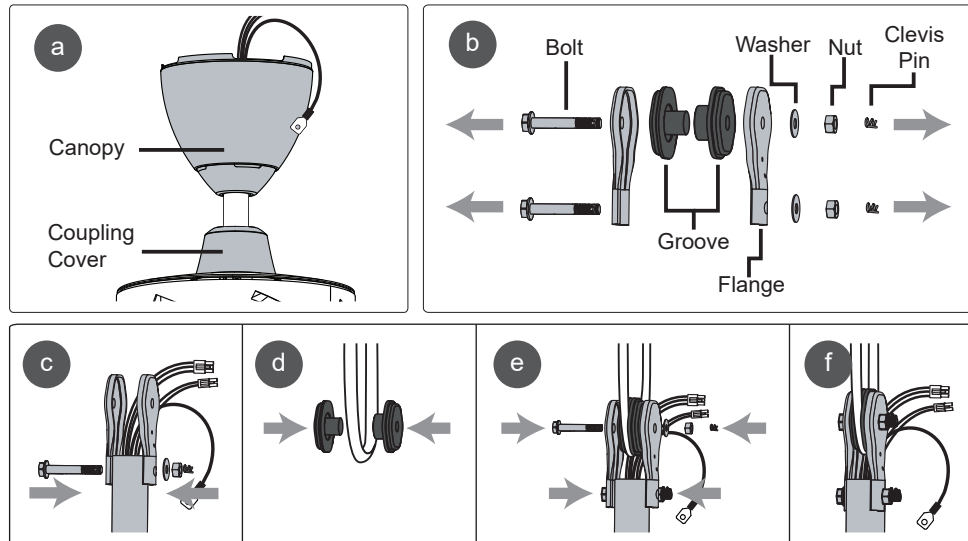


# Installation Instruction

**IMPORTANT : DO NOT CONNECT THIS REMOTE CONTROL CEILING FAN TO DIMMER SWITCH OR REGULATOR.**

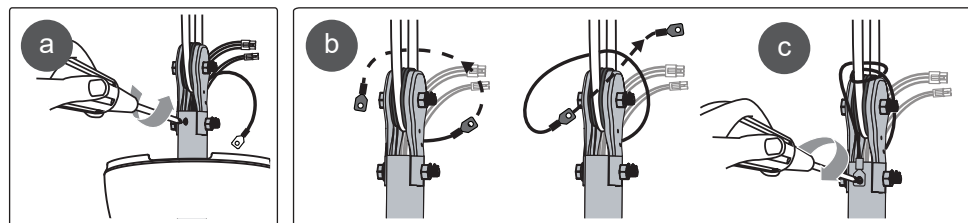
## Step 1

- Insert the Coupling Cover & Canopy to the Downrod.
- Remove the Groove, Flange, Bolt, Washer, Nut and Clevis Pin from the Rubber Pulley.
- Set the Flange to the Downrod without fully tightening.
- Position the Groove on the Ceiling Hook.
- Place the Flange and Downrod to the Groove and tighten with the Bolt, Washer, Nut and Clevis.
- Make sure the Rubber Pulley with Motor Assembly are firmly installed.



## Step 2

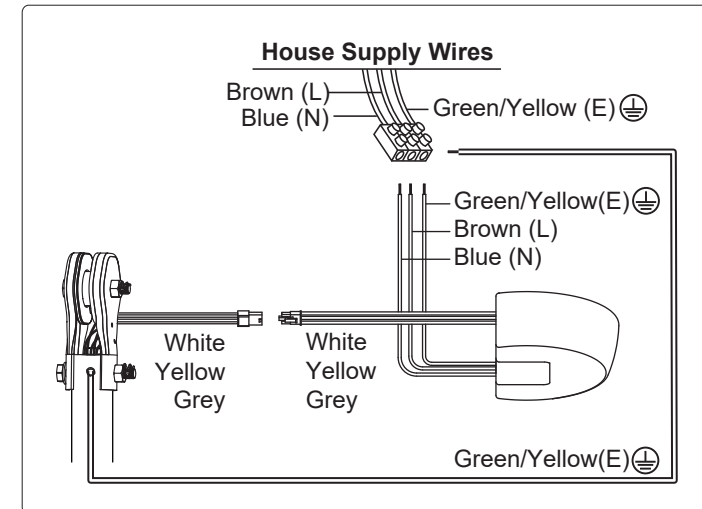
- Remove the Safety Wire screw from the Downrod.
- Tie the Safety Wire across the hook in the direction as shown in Figure b.
- Tighten and firmly screw the Safety Wire onto the Downrod.



# Installation Instruction

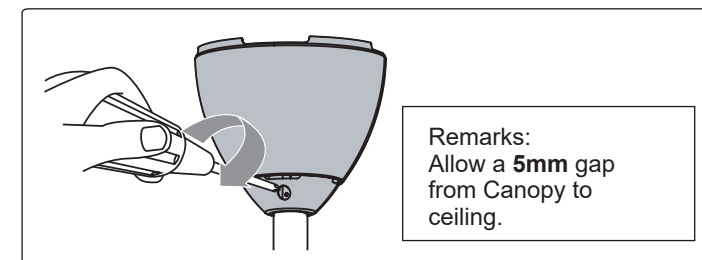
## Step 3

- Connect the Connectors from the Fan and Receiver.
- Connect the wires from the Receiver to the House's Supply Wire.
- Connect the Earth Wire to the House Supply Earth Terminal.



## Step 4

Move the Canopy to the ceiling and tighten the Screw to secure its position.

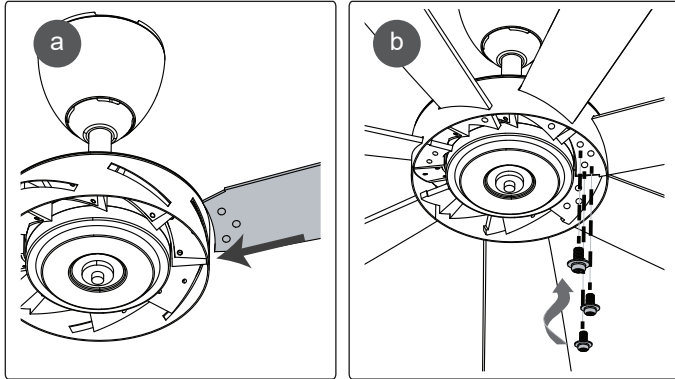


## Installation Instruction

### Step 5

#### Install the Fan Blade

- Insert the Fan Blade to the Blade Holder Plate.
- Install the Fan Blade to the Motor by using the Blade Screw provided.

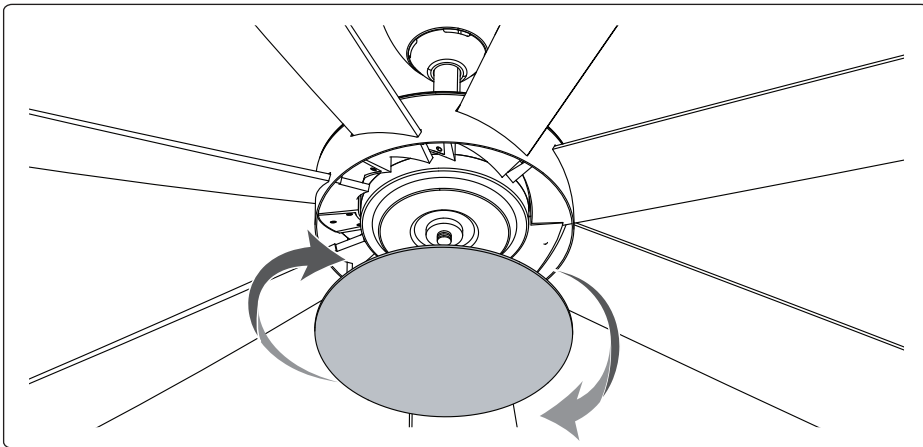


**Noted:**  
Remove the  
Blade Screw  
from the Blade  
Holder Plate  
before installing  
the blade.

### Step 6

#### Install the Decorative Cover

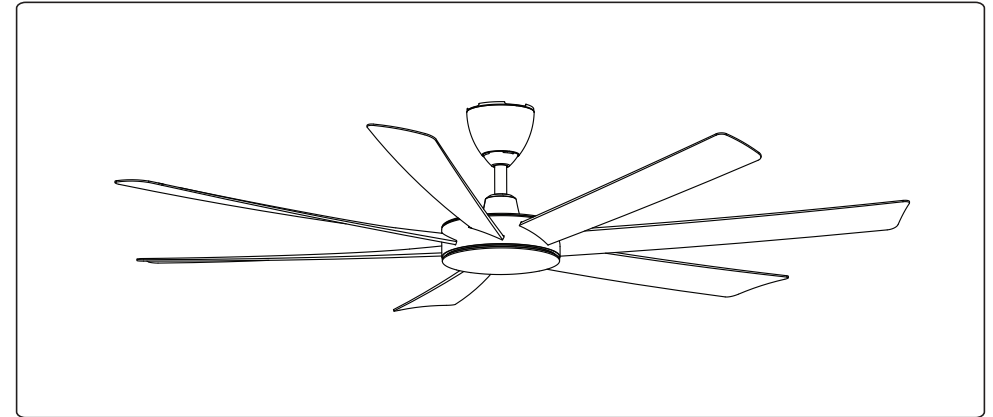
- Lift up the Decorative Cover to the Decorative Cover Holder.
- Install the Decorative Cover by twisting in.



## Installation Instruction

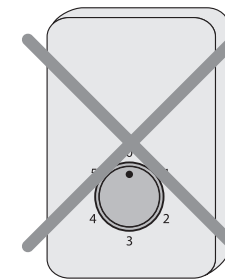
### Step 7

Below shows a complete installation diagram.

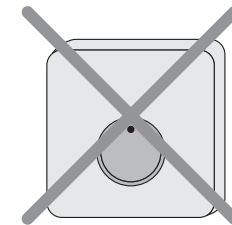


## Power Supply Connection

**IMPORTANT : DO NOT CONNECT THIS REMOTE CONTROL CEILING FAN TO A DIMMER SWITCH OR REGULATOR.**

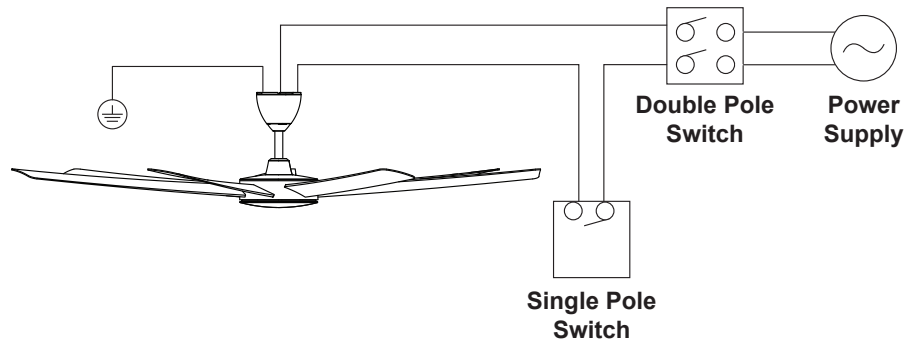


Regulator

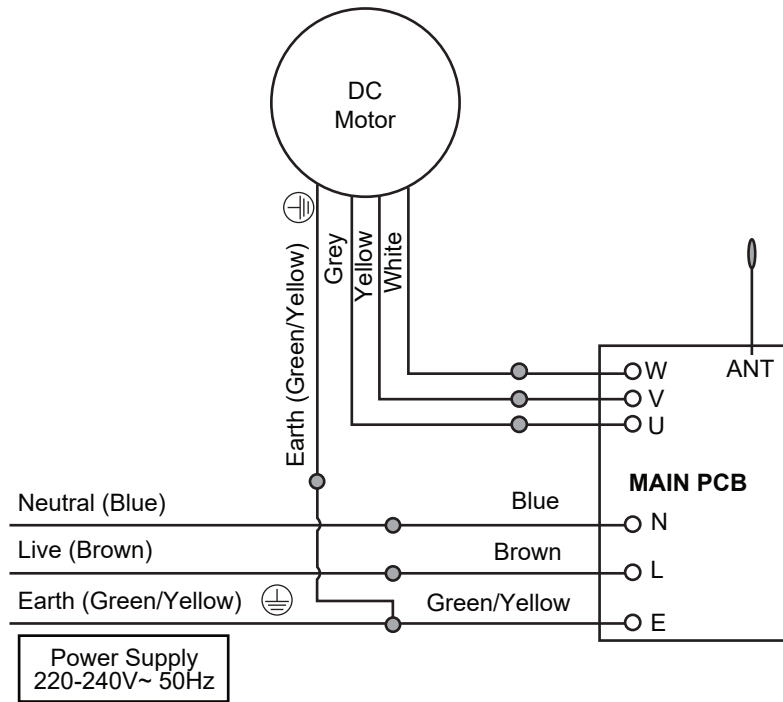


Dimmer Switch

## Power Supply Connection



## Circuit Diagram



## Transmitter Learning Process

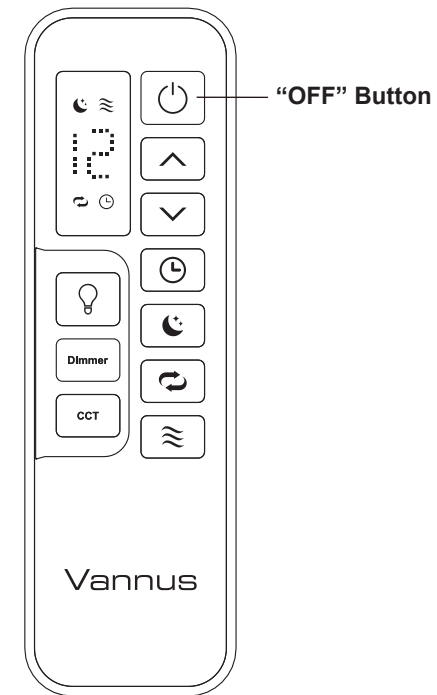
The receiver & transmitter are pre-programmed from the factory. If you wish to control 2 or more fans using 1 transmitter, the below steps are required:

**INSERT THE 2 PCS OF BATTERIES (PROVIDED) INTO THE TRANSMITTER AND DO NOT PRESS ANY OTHER BUTTON DURING THIS PROCESS.**







### Step 1

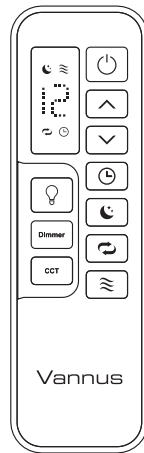
- Turn on the main power (wall switch) to the fan.
- Within **30 sec.**,
  - Short press **"OFF"** button, receiver will **"Beep"** twice.
  - Within 3 sec., Long Press **"OFF"** button again, receiver will Long **"Beep"**.
- The programming process is completed and the fan is ready to use.

*If the fan is not responding to the transmitter, repeat Step b.*



## Transmitter Function

-  - Turn On/Off fan.
- 1 - 12 - Fan Speed / Timer Indicator.
- ^ v - Fan Speed (1 - 12).
-  - Timer On setting (1hr - 12hr).
-  - Fan Speed will decrease gradually every 30 minutes until reach to speed 1.
-  - Forward/Reverse, turn anti-clockwise or clockwise rotation.
-  - Natural wind, creating gentle sea-breeze effect.
-  - N/A
- Dimmer** - N/A
- CCT** - N/A

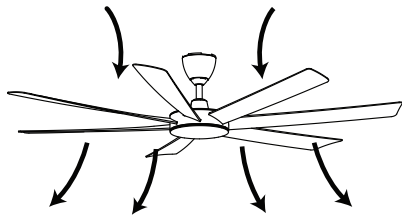


The transmitter & receiver feature a “**Last Memory**” function, which stores your previous fan settings. When the fan is turned on again, it will automatically resume operation at the last recorded fan settings.

## Function of Forward & Reverse

Fan must be turned on and rotating.

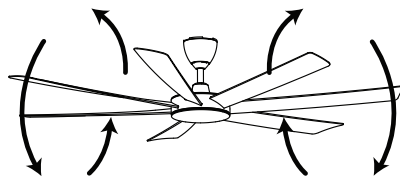
Press **Forward/Reverse** button. The fan will slow down and then change direction (approx. 15 sec). When the fan is slowing down to change direction, the “**Fan Speed**” function is disabled until direction has been changed.



### Forward

Fan rotates anti-clockwise, blowing the air downwards, creating the wind chill effect.

**Suitable for hot weather conditions.**



### Reverse

Fan rotates clockwise, drawing the air towards the ceiling and circulating the warm air downwards. This function works best at low speeds.

**Suitable for air-conditioned conditions.**

## Maintenance

Due to the fan’s natural movement, connections may get loose after a period of usage. To ensure proper and safe usage, it is highly recommended to inspect and tighten all connections every **6 months**.

### Cleaning

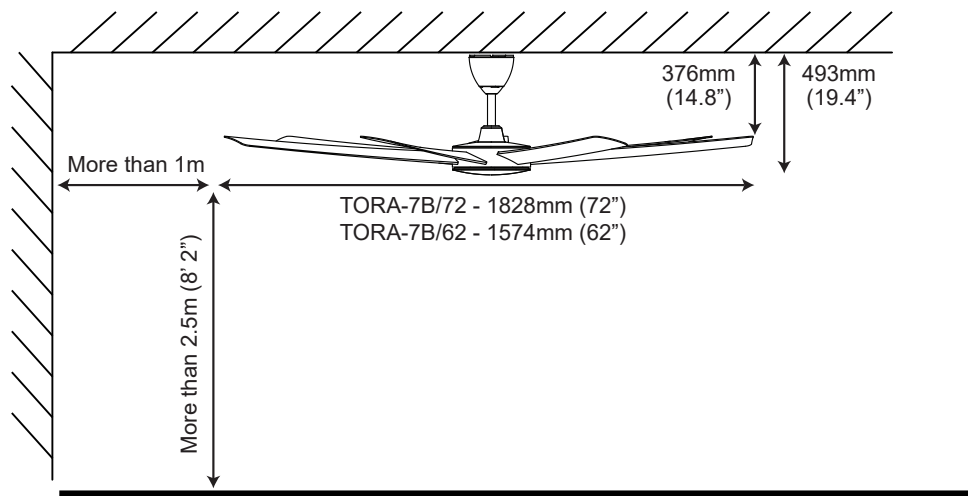
Cleaning your fan periodically will prolong its appearance. Basic cleaning procedures for the fan are as follows:

1. Use only lukewarm water. Do not use detergent, corrosive or acidic solutions.
2. Lightly dampen a soft, lint-free cloth before cleaning the fan. Avoid rough fabrics, as they may scratch the surface.
3. Do not bend the blades while cleaning. In the event where the blades are bent or damaged, order a new set of blades from authorised service centres/dealer shops.
4. There is no need to oil the fan.

## Technical Specifications

MODEL	FF-AD01/C	FF-AD02/C
Alt. Model	TORA-7B/72	TORA-7B/62
No. of Blades	7	
Fan Width	1828mm (72")	1574mm (62")
Motor RPM	50 - 140	50 - 160
Voltage	220 - 240V ~ 50Hz	
Motor Wattage	5W - 65W	
Nett Weight	9.9kg	7.8kg

## Technical Specifications



## Customer Service Centre

If you need any technical assistance or faulty report, please contact our customer service centre at:

**Alpha Home Appliances Sdn. Bhd.** (390258-H)

**Head Office** : 6, Jalan Sungai Kayu Ara 32/37, Berjaya Park, Section 32, 40460 Shah Alam, Selangor.

Tel : 03-5740 6666 Fax : 03-5740 8220  
Website : [www.alphamalaysia.com](http://www.alphamalaysia.com) Email : [info@alphamalaysia.com](mailto:info@alphamalaysia.com)

**Johor** : 71, Jalan Molek 3/10, Taman Molek, 81100 Johor Bahru.  
Tel : 07-353 4833 / 4933 Fax : 07-355 4233

**Melaka** : 19, 19-1 & 19-2, Jalan KSB 11, Taman Kota Syahbandar, 75200 Melaka.  
Tel : 06-292 6292 / 6293 Fax : 06-292 6296

**Perak** : 11, Laluan Tasek Timur 5, Pusat Perdagangan Tasek Indra, 31400 Ipoh, Perak.  
Tel : 05-545 2282 / 547 2282 Fax : 05-547 6282

**Penang** : 28, Jalan Icon City, Icon City, 14000 Bukit Mertajam, Penang.  
Tel : 04-506 2366 / 2066 / 2566 Fax : 04-506 2966

**Pahang** : A 131, Jalan Dato' Wong Ah Jang, Taman Seng Heng, 25100 Kuantan, Pahang.  
Tel : 09-516 5226 Fax : 09-513 9226