



Instruction Manual

Model Name

TB-AE01/B

Circulating Purifier

Alt. Name

APF/1S-AC

SAFETY PRECAUTION

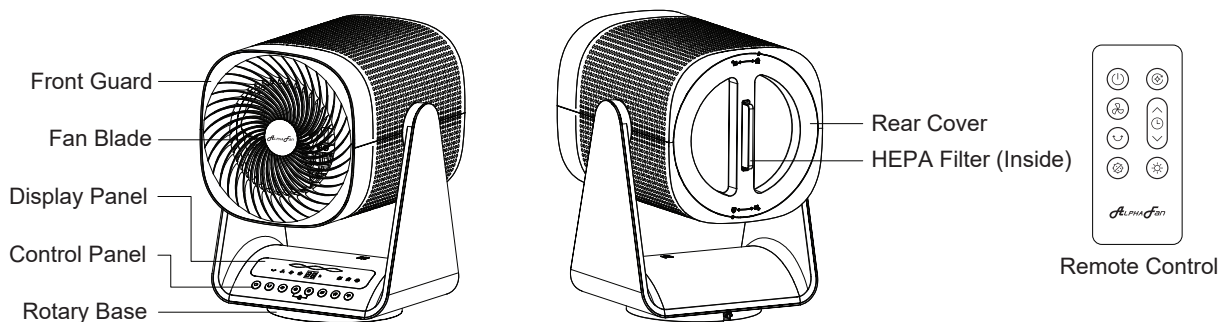
IMPORTANT : PLEASE READ BEFORE USING THE APPLIANCES

1. Unplug the power cord during installation, cleaning or relocation of fan,
2. Do not modify the length of the power cord.
3. Do not use the fan if the power cord or the plug is damaged, or the power socket is loose.
4. Repairing/servicing of the fan must be carried out by authorized and qualified electricians only.
5. If the power cord is damaged, it must be replaced by the manufacturer, its service agent or similarly qualified person to avoid a hazard.
6. Do not touch the fan and plug when your hands are wet.
7. Do not expose the fan to dripping or splashing water or objects filled with water, such as vase.
8. Do not use the fan near the gas stove, any fire source, unusually humid or high temperature, oil soot with a lots of metal powder, objects that may be drawn to fan, such as drapes or curtain and outdoor.
9. Do not insert hands or fingers into the front grille, or the movable parts.
10. Place the fan on a stable and level surface.
11. This appliance is not intended for use by persons (including children) with reduced physical, sensory or mental capabilities, or lack of experience and knowledge, unless they have been given supervision or instruction concerning use of the appliance by a person responsible for their safety. Children should be supervised to ensure that they do not play with the appliance.
12. Ensure that the fan is switched off from the supply mains before removing the guard.

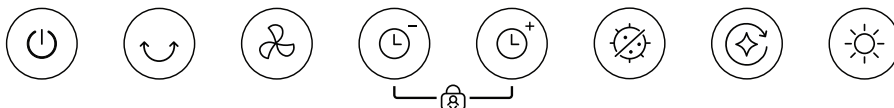
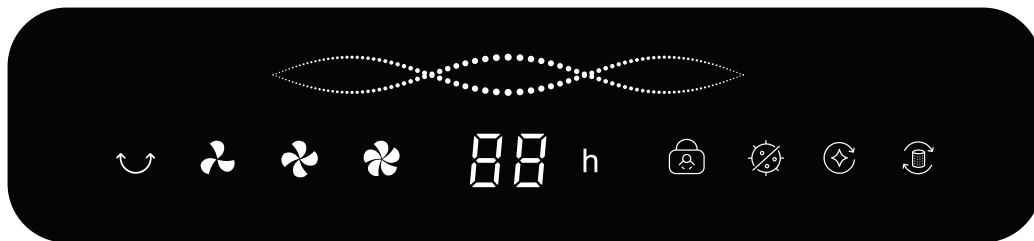
WARNING

This appliance is designed to use only those parts supplied with this appliance and/or accessories designated specifically for use with this appliance. Using parts and/or accessories not designated for use with this appliance could result in personal injury or property damage.

PARTS & ACCESSORIES



CONTROL PANEL & DISPLAY PANEL



Power - Fan On/Off Control
Press once to turn on the fan. Press again to standby mode.



Swing - Left Right Swing Control
Press once to activate auto swing. Press again to stop.



Speed Control - Speed 1 → Speed 2 → Speed 3



Timer On/Off + / -



Timer On - During Standby Mode, to turn on appliances at preset time. 1h - 24h

Timer Off - During Operation Mode, to turn off appliances at preset time. 1 - 24h



Plasma Function - To kill bacteria and purify the air
Press once to turn activate Plasma Function. Press again to deactivate.

Auto Mode

Detect air quality and auto adjust fan speed according to surrounding air quality

- Press once to turn activate Auto Mode.
- Press again to deactivate Auto Mode.



Green strip: Good air quality. Operate in Speed 1
Yellow strip: Medium air quality. Operate in Speed 2
Red strip: Poor air quality. Operate in Speed 3

Cancel and Reset HEPA Filter Replacement Reminder

- Press and hold for 3 second to cancel the HEPA Filter Replacement Indicator and reset the HEPA Filter Replacement Reminder.



Child Lock

Press and hold both Timer Button simultaneously for 3 seconds to activate Child Lock.
Press and hold Timer Button simultaneously for 3 seconds again to deactivate Child Lock
Note: During Child Lock, all button will be disable except Power button



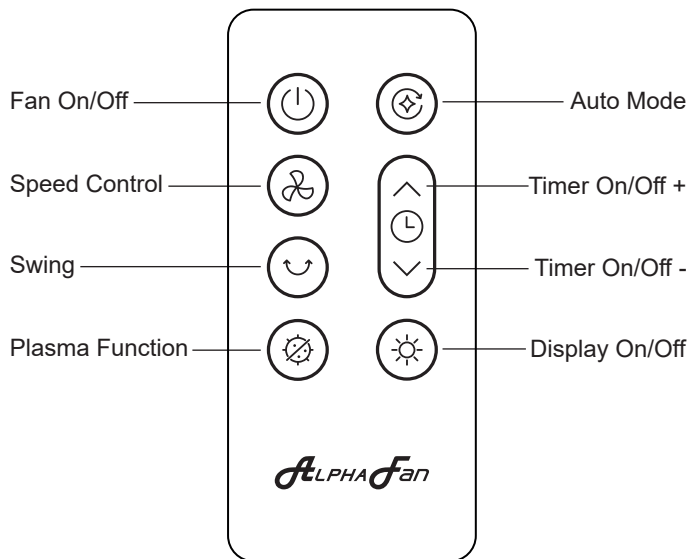
HEPA Filter Replacement Reminder

Indicator will appear and blink when HEPA Filter have accumulated usage of 1080 hours.
Refer to HEPA Filter Replacement on page 3 for step explanation.

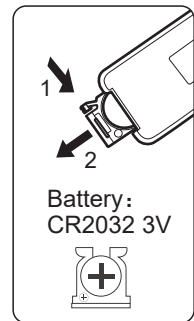


Off Display - Turn off display

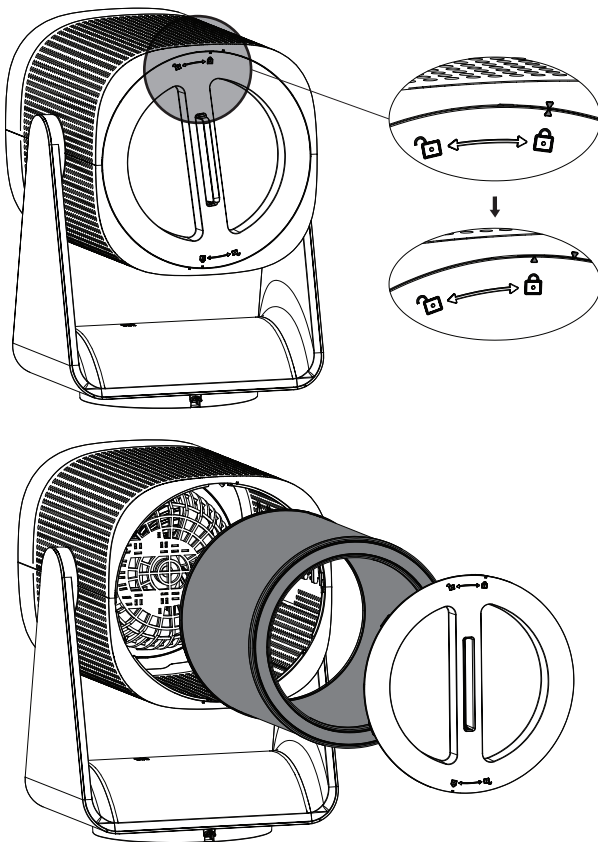
REMOTE CONTROL FUNCTION



Remote Control Rear Side



HEPA Filter Replacement



- Twist Rear Cover in anti-clockwise direction to unlock Rear Cover from fan body.
- Remove HEPA Filter from fan and replace with new HEPA Filter.
- Twist Rear Cover in clockwise direction to secure Rear Cover onto fan body.
- Ensure both arrow is aligned.

Note:
Long Press the AUTO MODE button for 3 second to reset the Hepa Filter Replacement Reminder after the new HEPA filter is replaced.

IMPORTANT : BEFORE PERFORMING ANY MAINTENANCE WORK, UNPLUG THE FAN FROM THE SUPPLY SOCKET.

Cleaning

1. Use only lukewarm water and mild detergent to clean the fan. Do not use corrosive or acidic solution.
2. Use soft or lint-free cloth to clean the fan. Rough fabric will scratch the surface.
3. To clean between the guards, use pipe cleaner, flexible dust wand, vacuum cleaner or compressed air to gently remove dust.
4. DO NOT wet or immerse the motor, switch, power cord and plug in water.

TECHNICAL SPECIFICATIONS

Model	TB-AE01/B
Alt. Name	APF/1S-AC
Rated Voltage	220-240V ~ 50Hz
Rated Power	35W
CADR	160m ³ /h
Dimension	268 x 234 x 422.8mm
Nett Weight	3.3kg

If you need any technical assistance or faulty report, please contact our customer service centre at :

Malaysia

Alpha Home Appliances Sdn. Bhd. (390258-H)

Head Office : 6, Jalan Sungai Kayu 32/37, Berjaya Park, Sect 32,40460 Shah Alam, Selangor.

Tel : 03-5740 6666 Fax : 03-5740 8220

Website : www.alphamalaysia.com Email : info@alphamalaysia.com

Johor : 71, Jalan Molek 3/10, Taman Molek, 81100 Johor Bahru.

Tel : 07-353 4833 / 4933 Fax : 07-355 4233

Melaka : 19, 19-1 & 19-2, Jalan KSB 11, Taman Kota Syahbandar, 75200 Melaka.

Tel : 06-292 2398 / 2399 Fax : 06-292 2392

Perak : 11, Laluan Tasek Timur 5, Taman Tasek Indra, 31400 Ipoh, Perak.

Tel : 05-545 2282 / 547 2282 Fax : 05-547 6282

Penang : 28 Jalan Icon City, Icon City, 14000 Bukit Mertajam, Pulau Pinang.

Tel : 04-506 2366 / 2066 / 2566 Fax : 04-506 2966

Pahang : A131, Jalan Dato Wong Ah Jang, Taman Liza, 25100 Kuantan, Pahang.

Tel : 09-516 5226 Fax : 09-513 9226

Singapore

Alpha Sales & Services Pte. Ltd. (200709461 R)

50, Ubi Avenue 3, #02-16/17, Frontier, Singapore 408866.

Tel : +65 6841 0111 Fax : +65 6747 0030

Website : www.alphasingapore.com Email : customercare@alphasingapore.com

