



Instruction Manual

WALL FAN

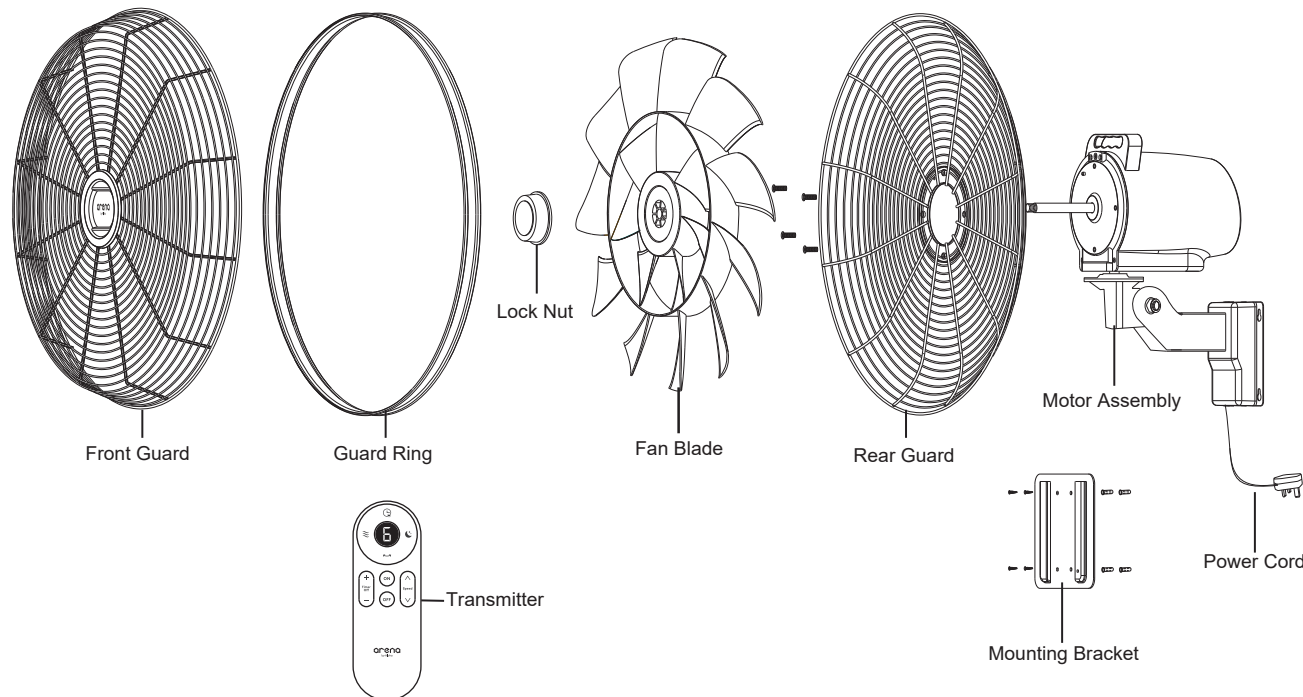
Model : TB-AB01/A

ARENA AWF 1060/18-DC

IMPORTANT : PLEASE READ BEFORE USING THE APPLIANCES

1. Unplug the power cord during installation, cleaning or relocation of fan.
2. Do not modify the length of the power cord.
3. Do not use the fan if the power cord or the plug is damaged, or the power socket is loose.
4. Repairing/servicing of the fan must be carried out by authorized and qualified electricians only.
5. If the power cord is damaged, it must be replaced by the manufacturer, its service agent or similarly qualified person to avoid a hazard.
6. Do not touch the fan and plug when your hands are wet.
7. Do not expose the fan to dripping or splashing water or objects filled with water, such as vase.
8. Do not use the fan near the gas stove, any fire source, unusually humid or high temperature, oil soot with a lots of metal powder, objects that may be drawn to fan, such as drapes or curtain and outdoor.
9. Due to its construction this device is not intended for outdoor use, indoor use only.
10. Do not insert hands or fingers into the front grille, or the movable parts.
11. Place the fan on a stable and level surface
12. This appliance is not intended for use by persons (including children) with reduced physical, sensory or mental capabilities, or lack of experience and knowledge, unless they have been given supervision or instruction concerning use of the appliance by a person responsible for their safety. Children should be supervised to ensure that they do not play with the appliance.

Model	Voltage	Wattage
TB-AB01/A	220V-240V ~ 50-60Hz	90W

PARTS & ACCESSORIES**CUSTOMER SERVICE CENTER**

If you need any technical assistance or faulty report, please contact our customer service centre at :

Malaysia

Alpha Home Appliances Sdn. Bhd. (390258-H)

Head Office : 6, Jalan Sungai Kayu 32/37, Berjaya Park, Sect 32,40460 Shah Alam, Selangor.

Tel : 03-5740 6666

Fax : 03-5740 8220

Website : www.alphamalaysia.com

Email : info@alphamalaysia.com

Johor

: 71, Jalan Molek 3/10, Taman Molek, 81100 Johor Bahru.

Tel : 07-353 4833 / 4933

Fax : 07-355 4233

Melaka

: 19, 19-1 & 19-2, Jalan KSB 11, Taman Kota Syahbandar, 75200 Melaka.

Tel : 06-292 2398 / 2399

Fax : 06-292 2392

Perak

: 11, Jalan Tasek Timur 5, Taman Tasek Indra, 31400 Ipoh, Perak.

Tel : 05-545 2282 / 547 2282

Fax : 05-547 6282

Penang

: 28 Jalan Icon City, Icon City, 14000 Bukit Mertajam, Pulau Pinang.

Tel : 04-506 2366 / 2066 / 2566

Fax : 04-506 2966

Pahang

: A131, Jalan Dato Wong Ah Jang, Taman Liza, 25100 Kuantan, Pahang.

Tel : 09-516 5226

Fax : 09-513 9226

Singapore

Alpha Sales & Services Pte. Ltd. (200709461 R)

50, Ubi Avenue 3, #02-16/17, Frontier, Singapore 408866.

Tel : +65 6841 0111

Fax : +65 6747 0030

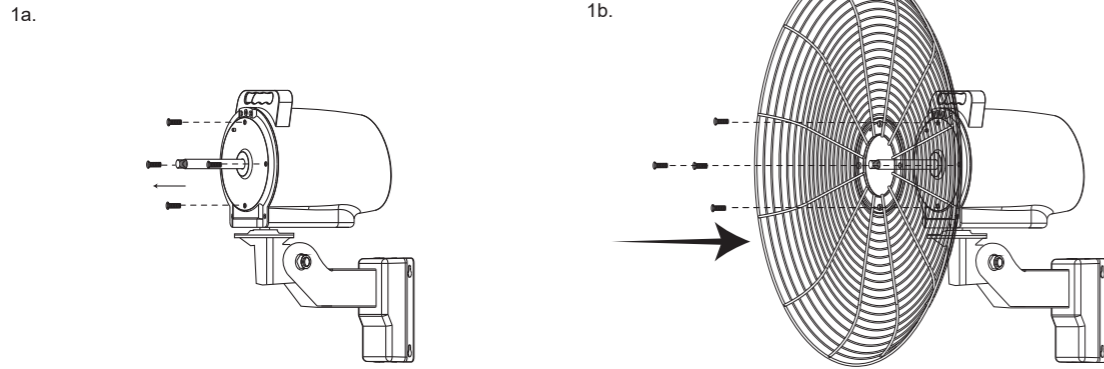
Website : www.alphasingapore.com

Email : customercare@alphasingapore.com

WARNING: 1. Please consult qualified person(s) if there is difficulty during installation.
2. Please make sure no power is connected before installation.

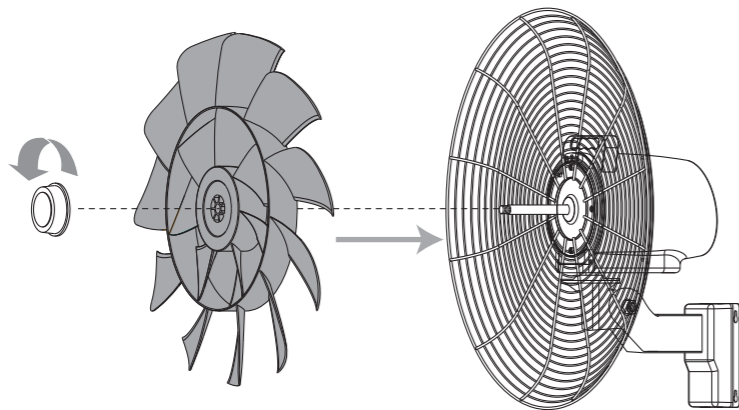
1. Rear Guard Installation

- 1a. Remove all for screw at the Motor Assembly cover.
- 1b. Align all for screw hole at the Rear Guard to the Motor Assembly cover then secure with the screw provided.

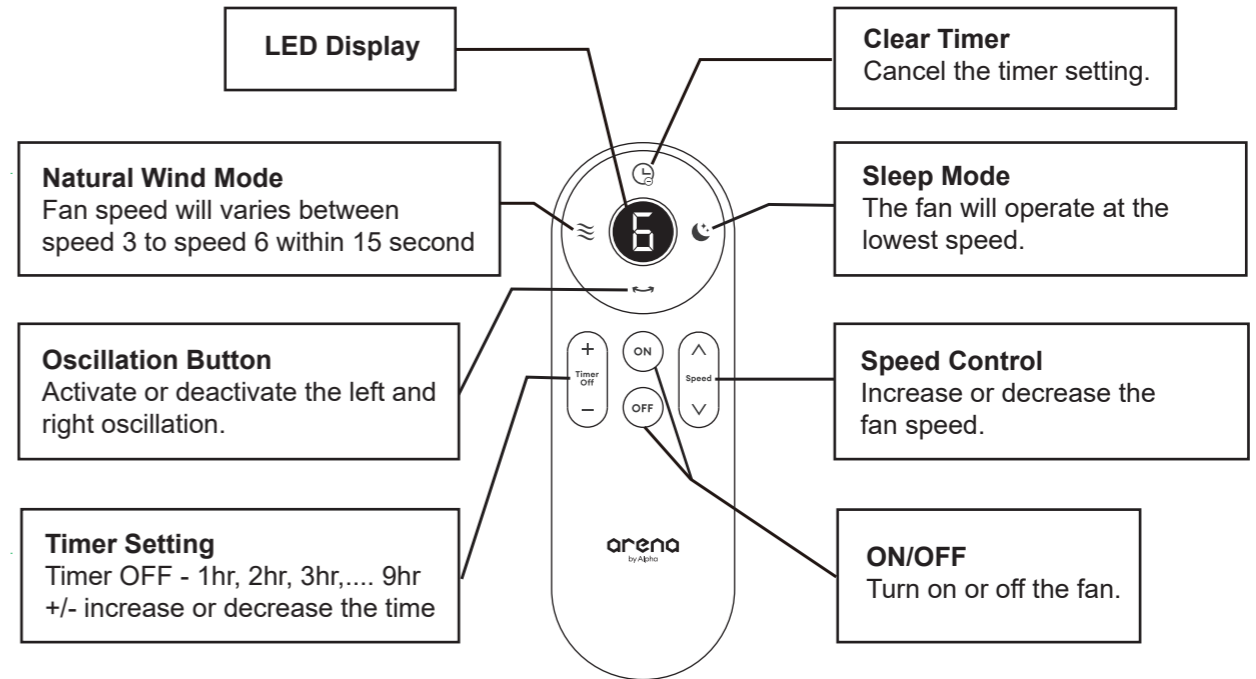


2. Fan Blade Installation

Insert the Fan Blade through the motor shaft, please make sure the Fan Blade pin slot is align to the motor shaft pin.
Then secure the Fan Blade with the Lock Nut by turn the Lock Nut counterclockwise.



2. Operation Instruction



MAINTENANCE

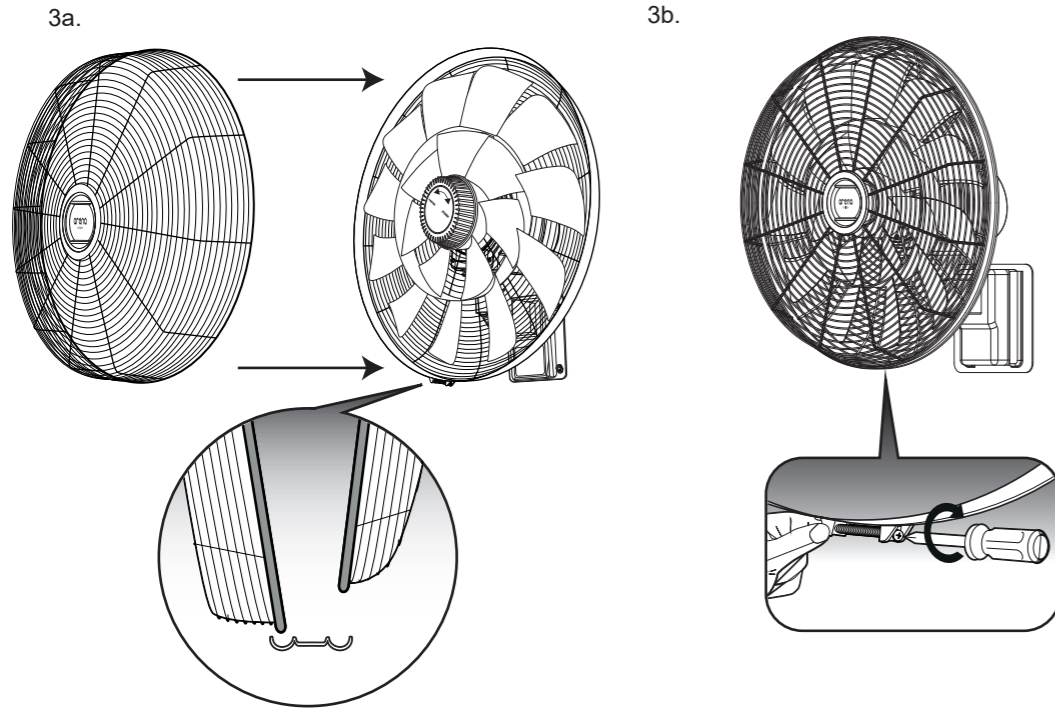
IMPORTANT : BEFORE PERFORMING ANY MAINTENANCE WORK, UNPLUG THE FAN FROM THE SUPPLY SOCKET.

Cleaning

- 1. Use soft or lint-free cloth and mild detergent to clean the fan. Do not use corrosive or acidic solution to avoid scratching and corrosion on the body.
- 2. To clean parts of the fan (excluding the motor), wash it with detergent and then wipe with a dry cloth and allow some time to ensure all parts are fully dry before reassembling the fan.
- 3. DO NOT wet or immerse the motor, switch, power cord and plug in water.
- 4. Please make sure the whole fan is in good condition before proceed to use.

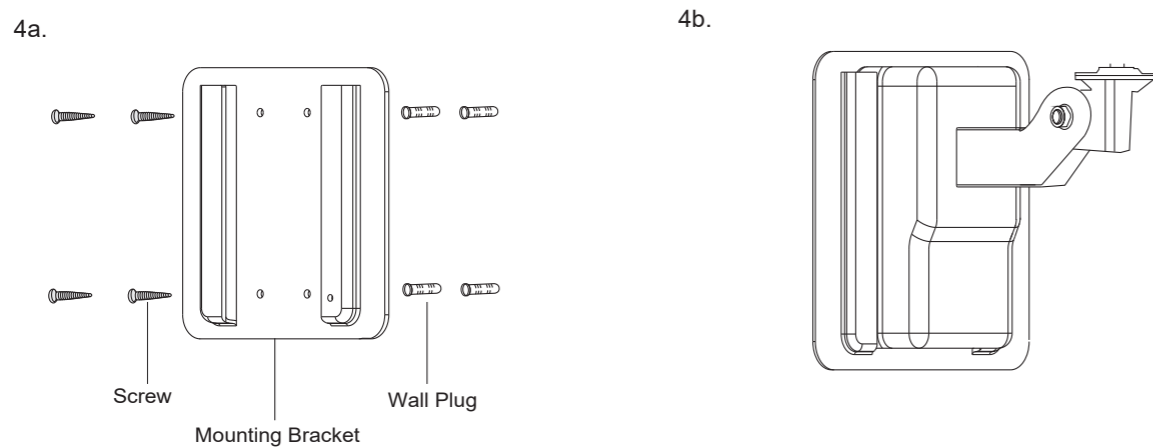
3. Front Guard Installation

- 3a. Loosen the screw at Guard Ring then put the Front Guard and Rear Guard on the Guard Ring.
 - 3b. Tighten the Guard Ring screw to secure the Fan Guard.
- Please make sure both front and rear guard edge are properly sits on the guard ring groove.**

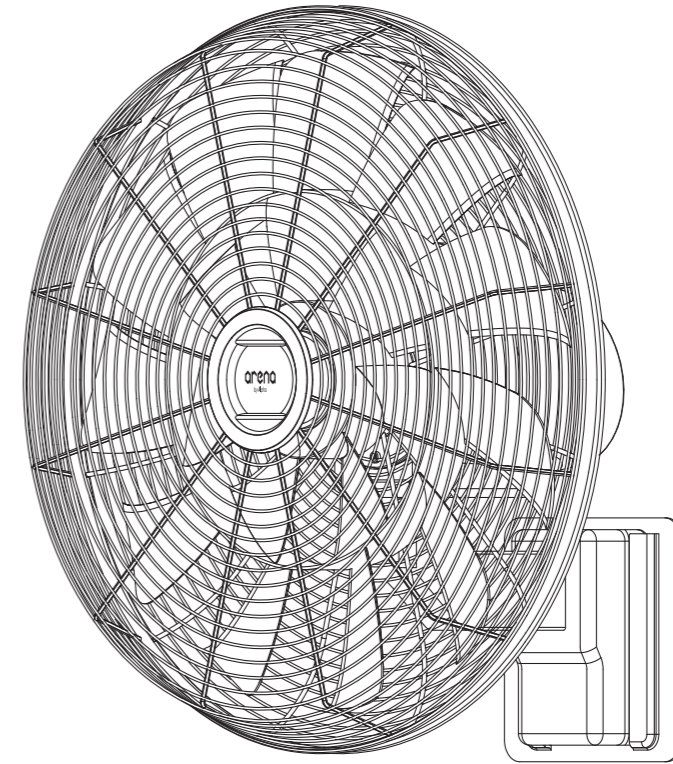


4. Mounting Bracket Installation

- 4a. At the desired location, place the Mounting Bracket on the wall and make a marking to drill all 4 holes. Insert the Wall Plug into all the 4 holes then fix the Mounting Bracket with the screws.
- 4b. Insert the completed Motor Assembly to the Mounting Bracket.



5. Complete Assembly



TRANSMITTER FUNCTION

1. Transmitter Pairing

By default the transmitter already paired to the fan. If you wish to control more than one fan (max 10 fan within 5m radius), proceed with below steps.

- 1a. Insert 2 pieces of AAA batteries into the transmitter.
- 1c. Turn on the power supply.
- 1b. Within 10 second, press ON button 4 times - on the 4th, press and hold until beep sound come out indicating the pairing process is successful and fan ready to use.

